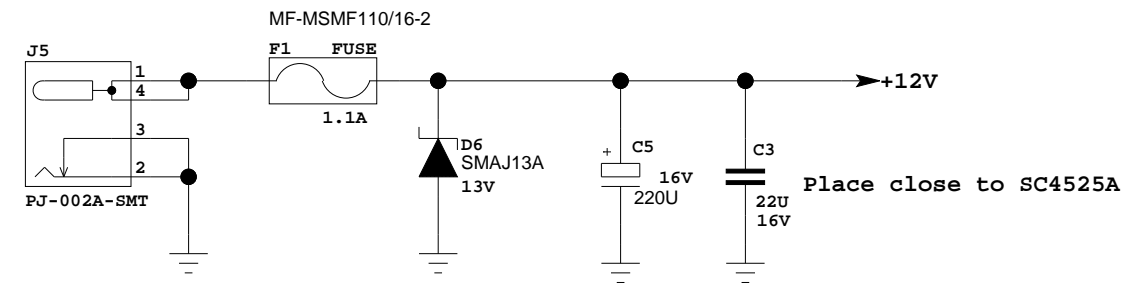


# BB9G45 v1.0 - Base Board for PM9G45

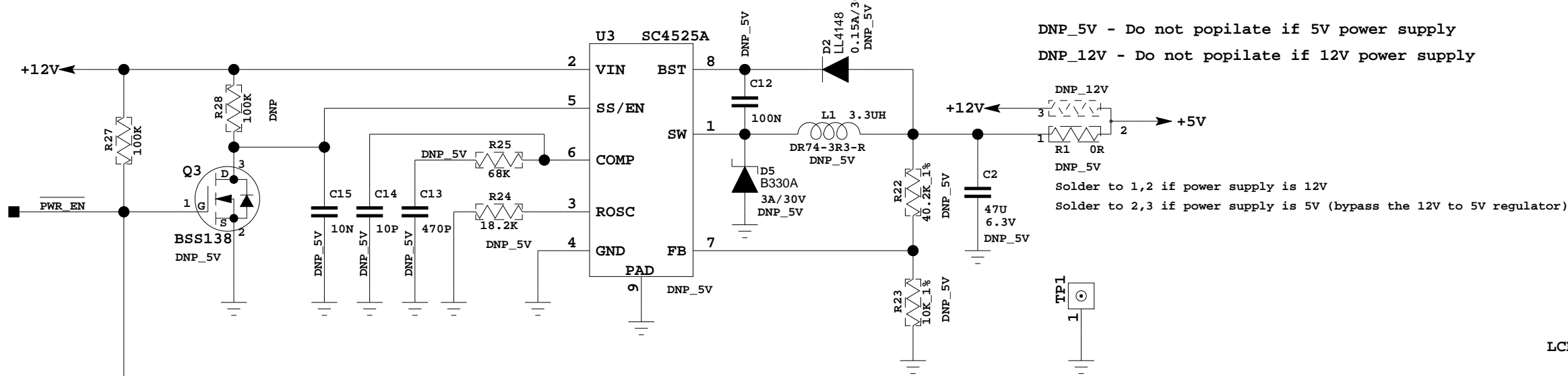
board size: 165x104 mm

## Power Supply: 5V

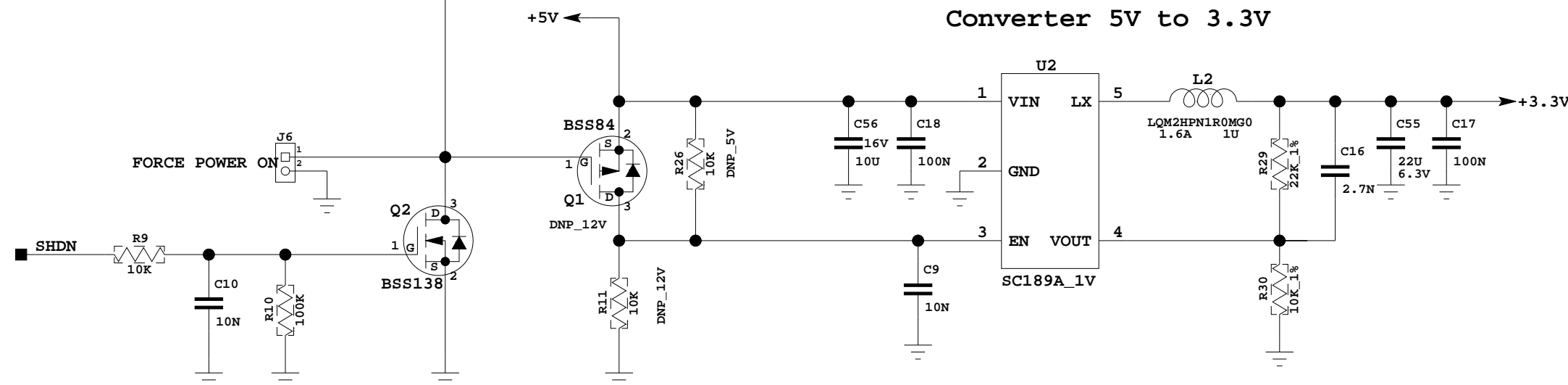


## Converter 12V to 5V

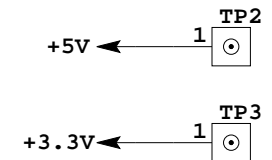
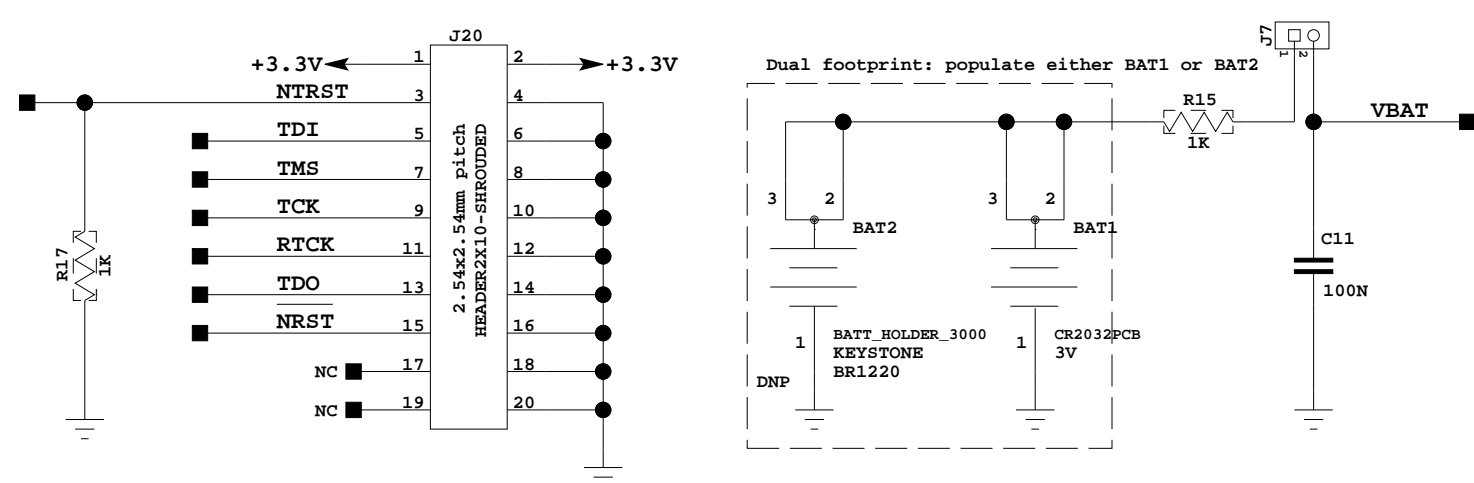
(it is possible to supply the board with 5V and to bypass the 12V to 5V converter)



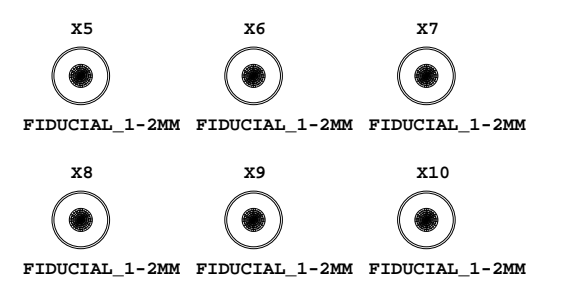
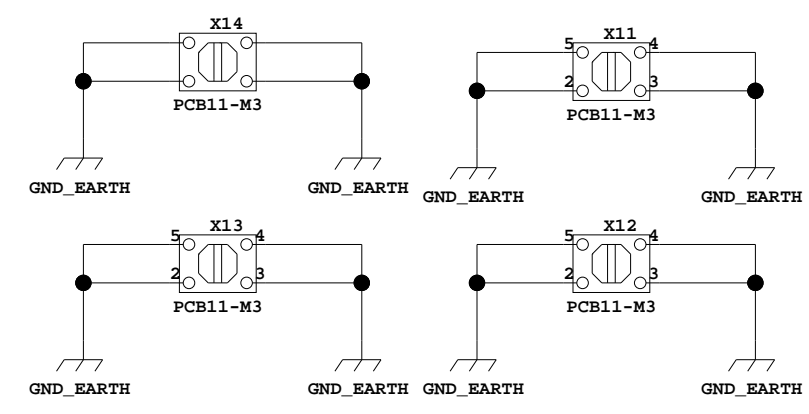
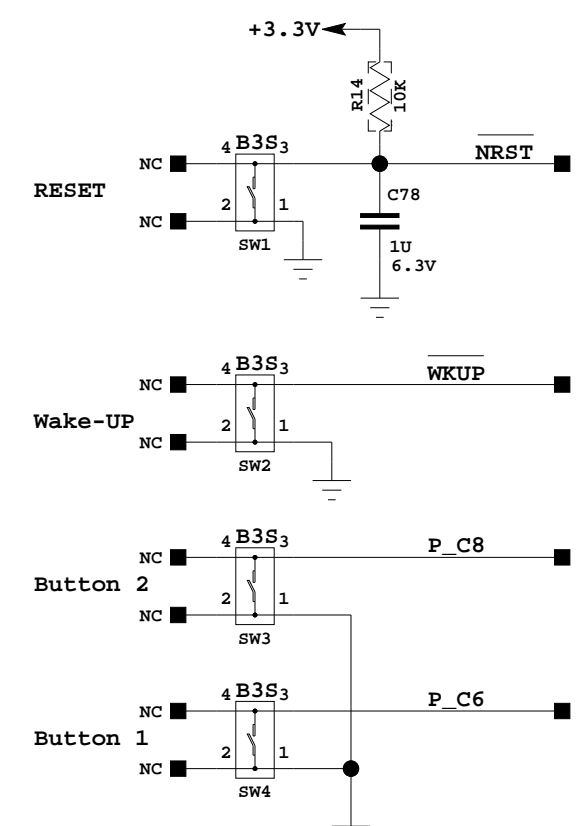
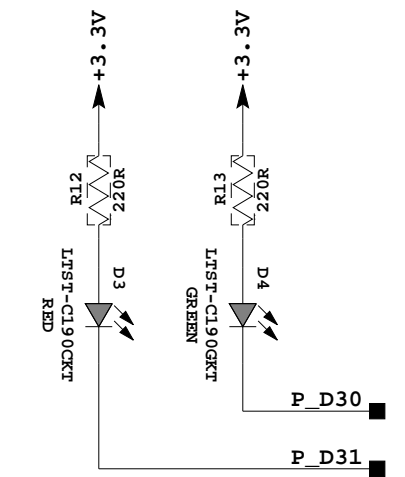
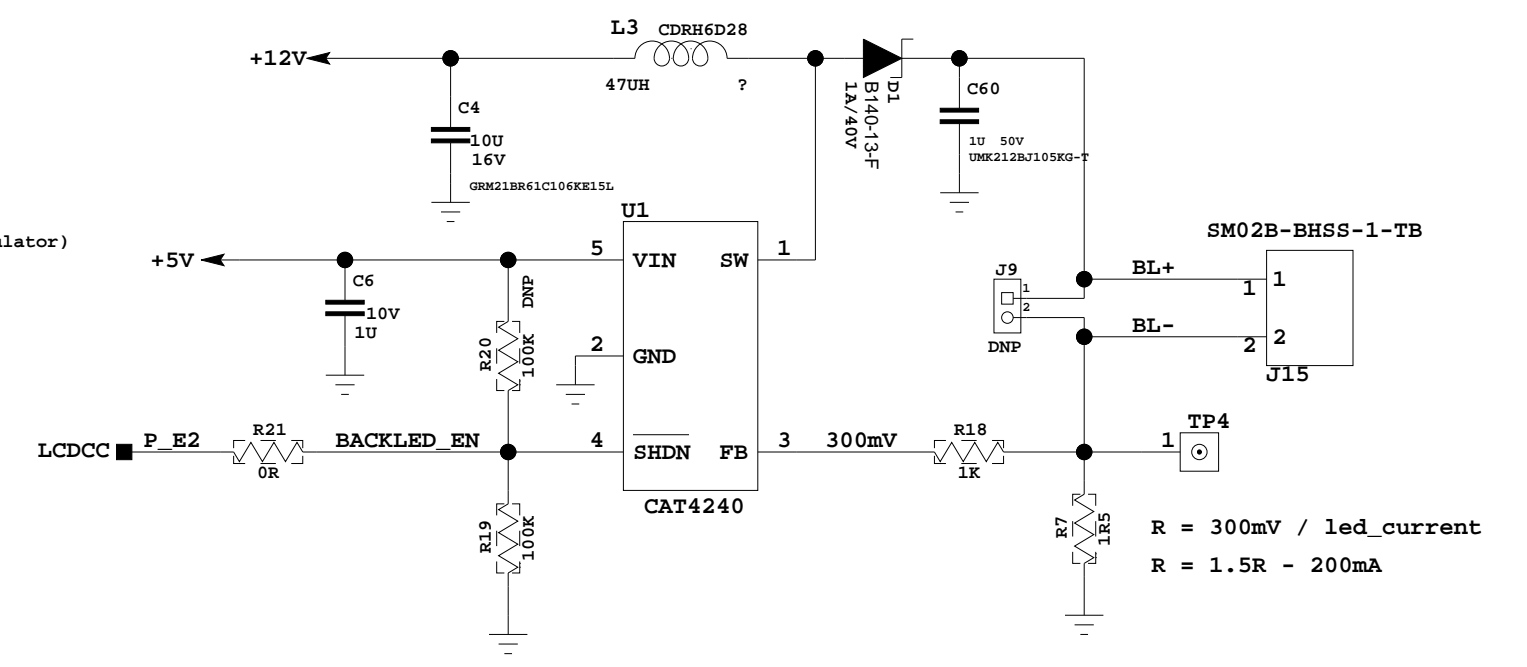
## Converter 5V to 3.3V



## JTAG



## Back-Light

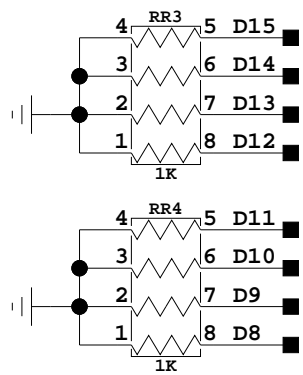


<http://www.toby.co.uk>

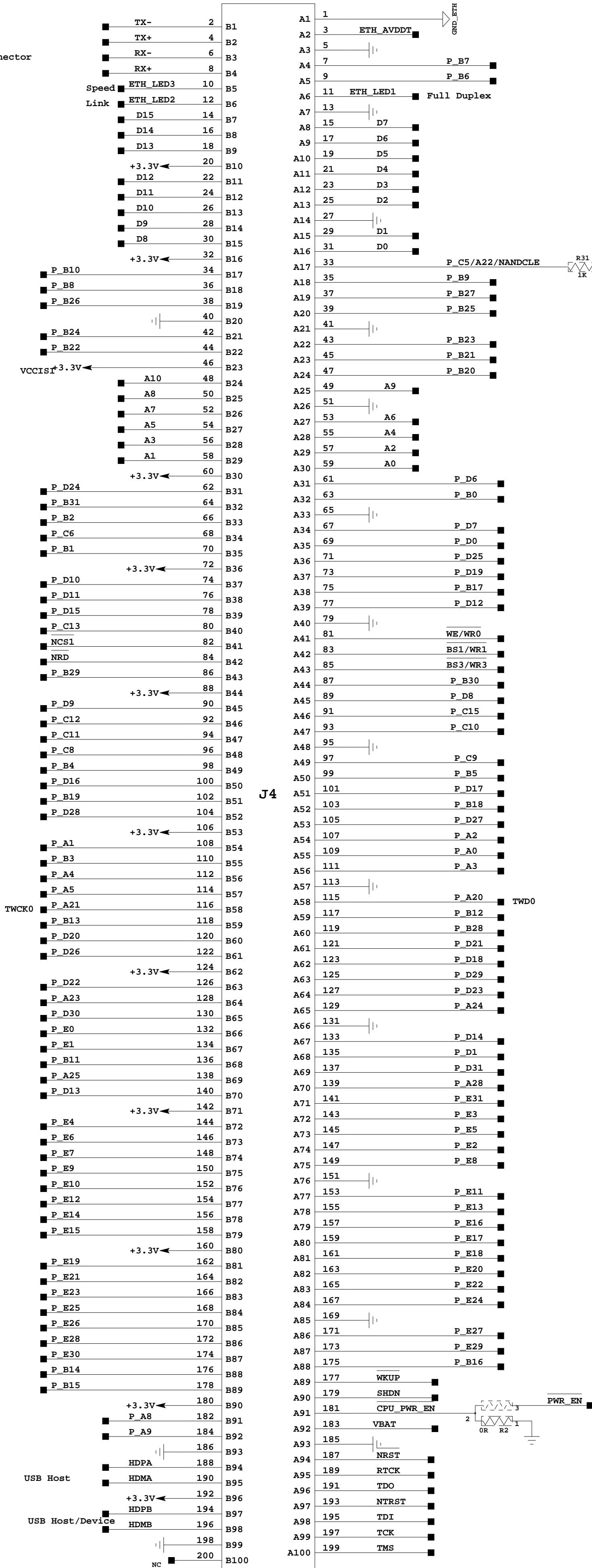
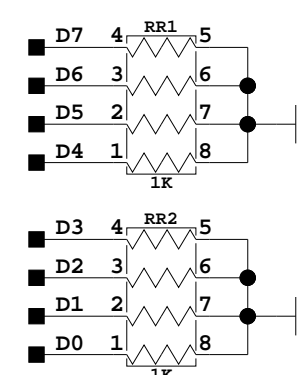
## 2.5V PCB SODIMM200 CONNECTOR

Tyco 1473005-1, board to board 2.9mm

Place close to 200-pin connector



Place close to 200-pin connector

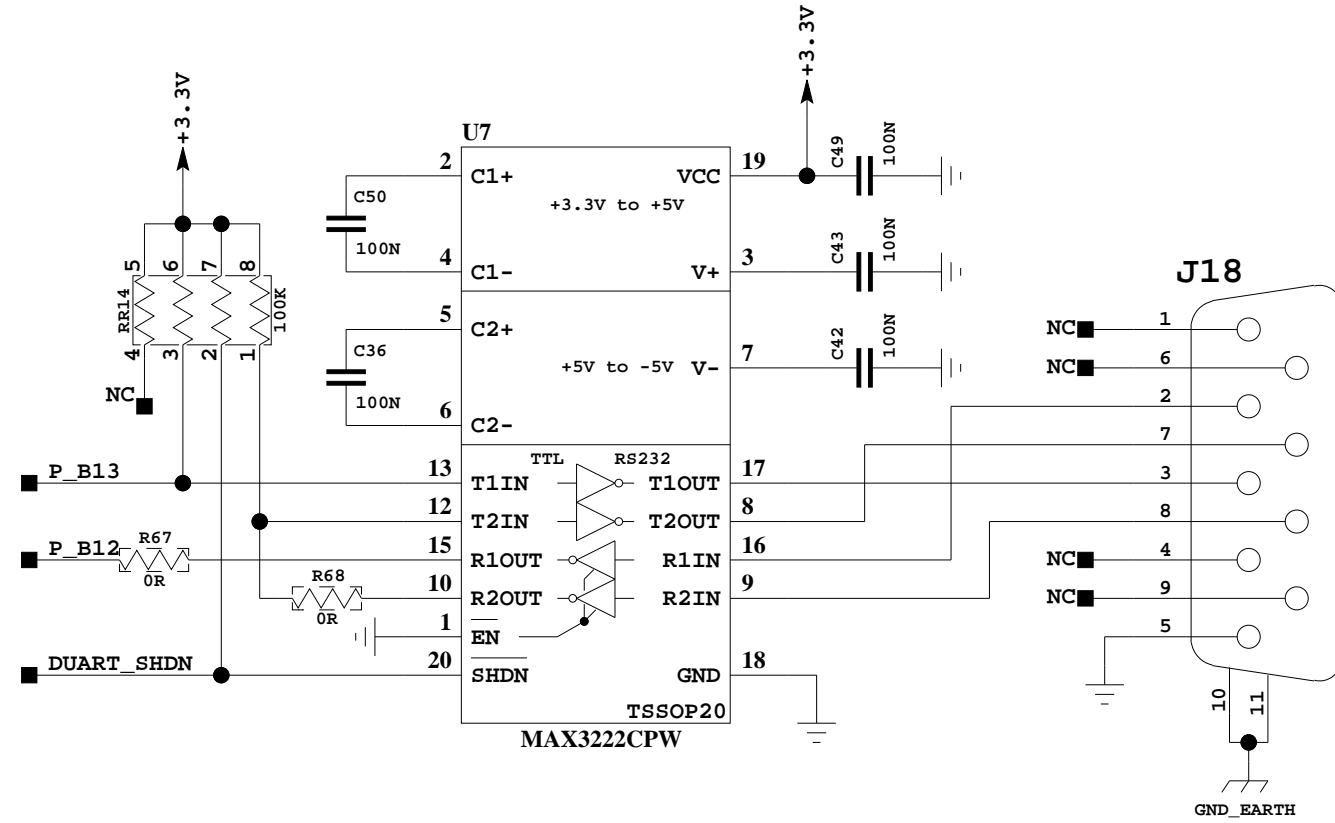


200 PIN HEADER 2.5V SODIMM CON

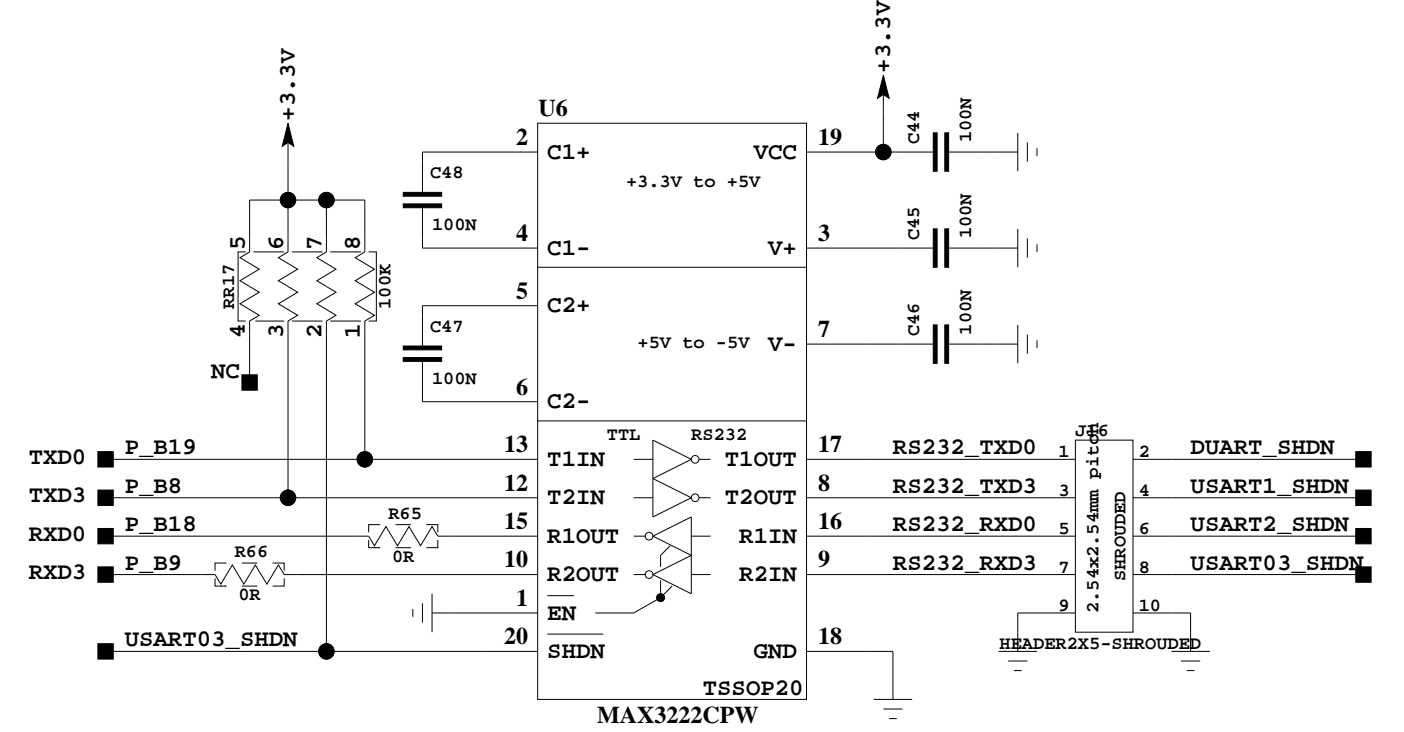




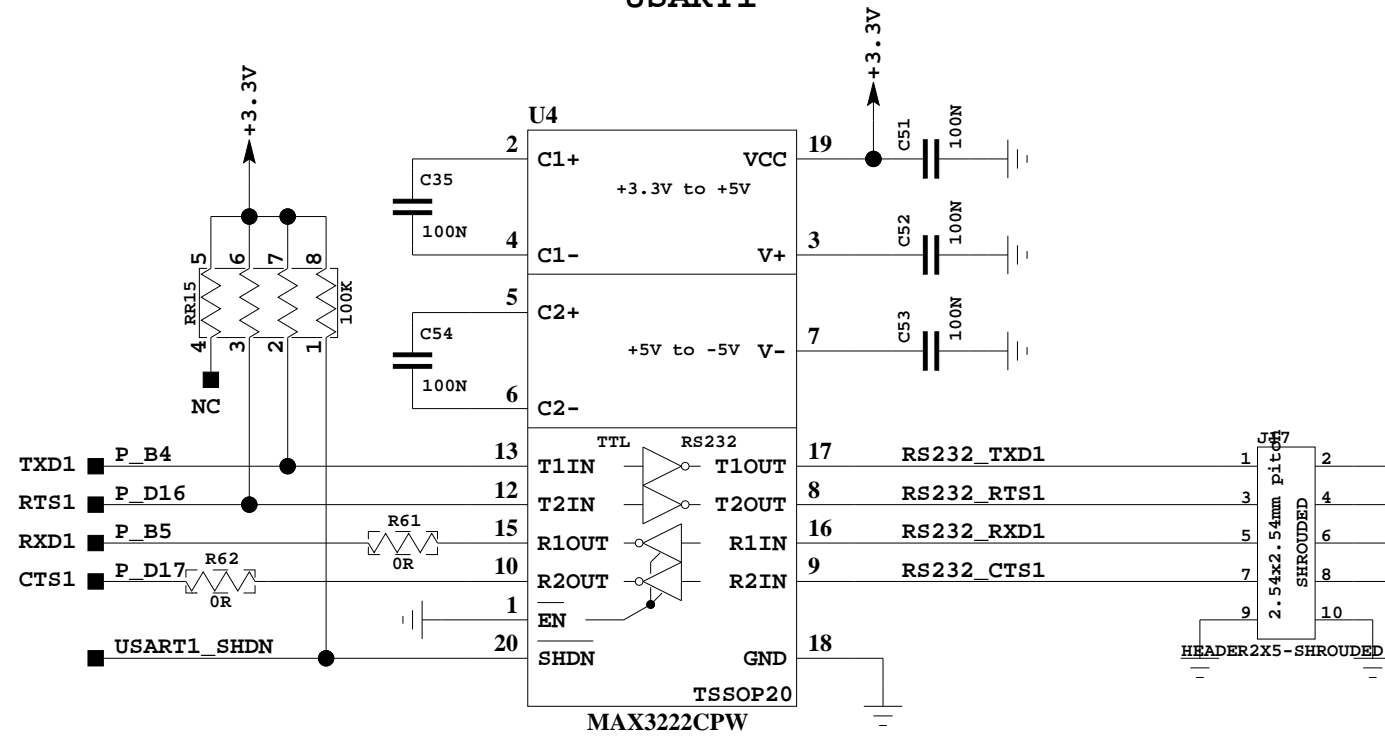
### DEBUG UART



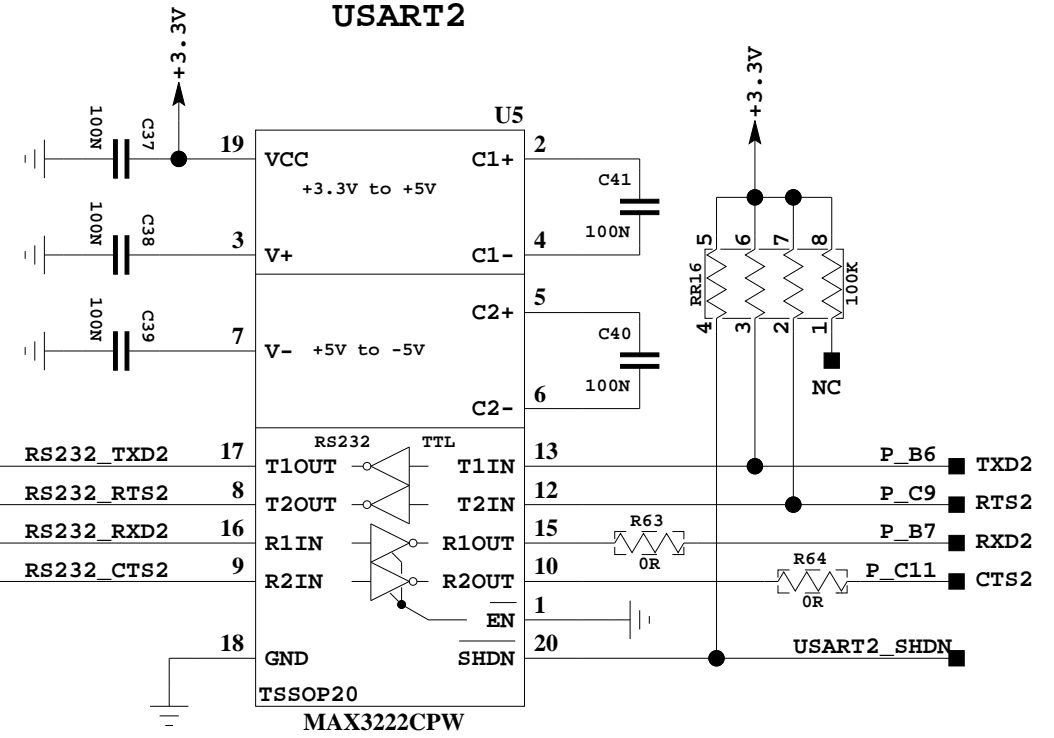
### USART0, USART3



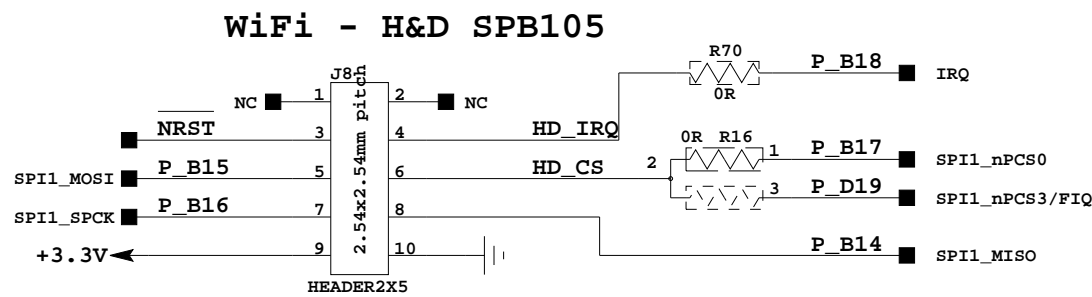
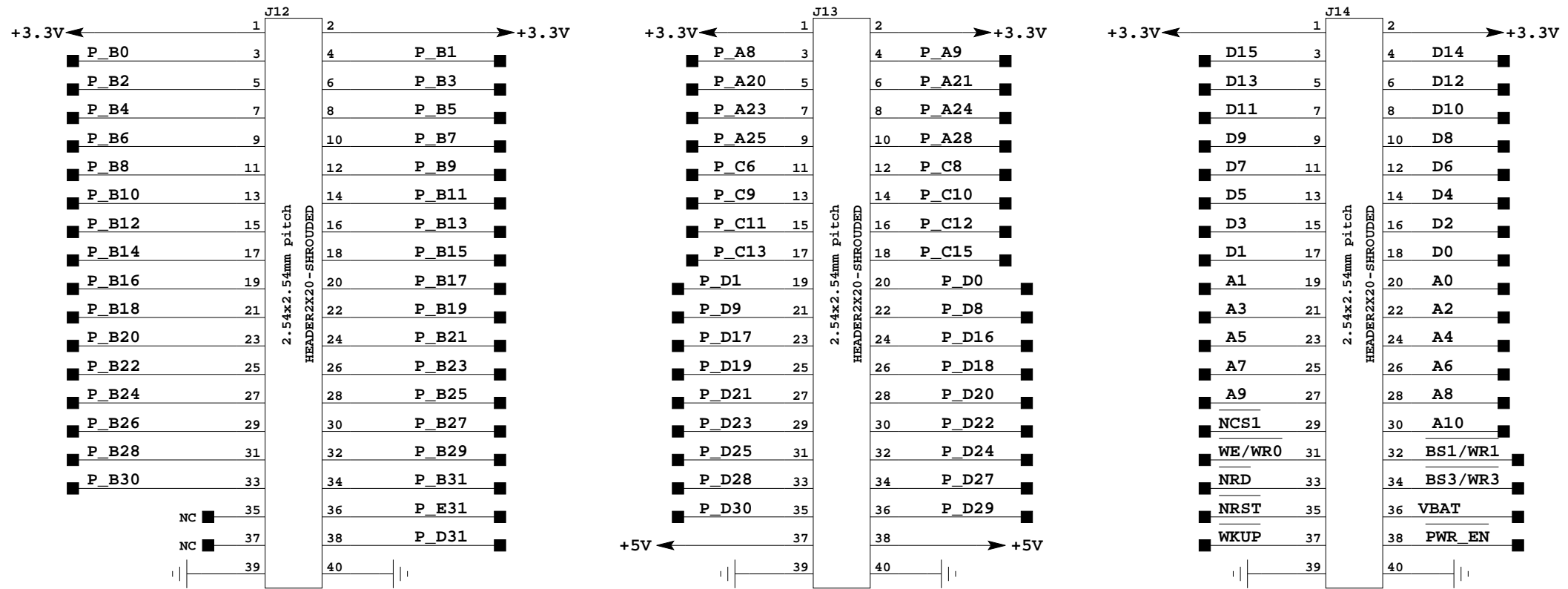
### USART1



### USART2



## Extension I/O



Note: Populate either SPB105 or SPB106

Note: SPB105 is only for evaluation

