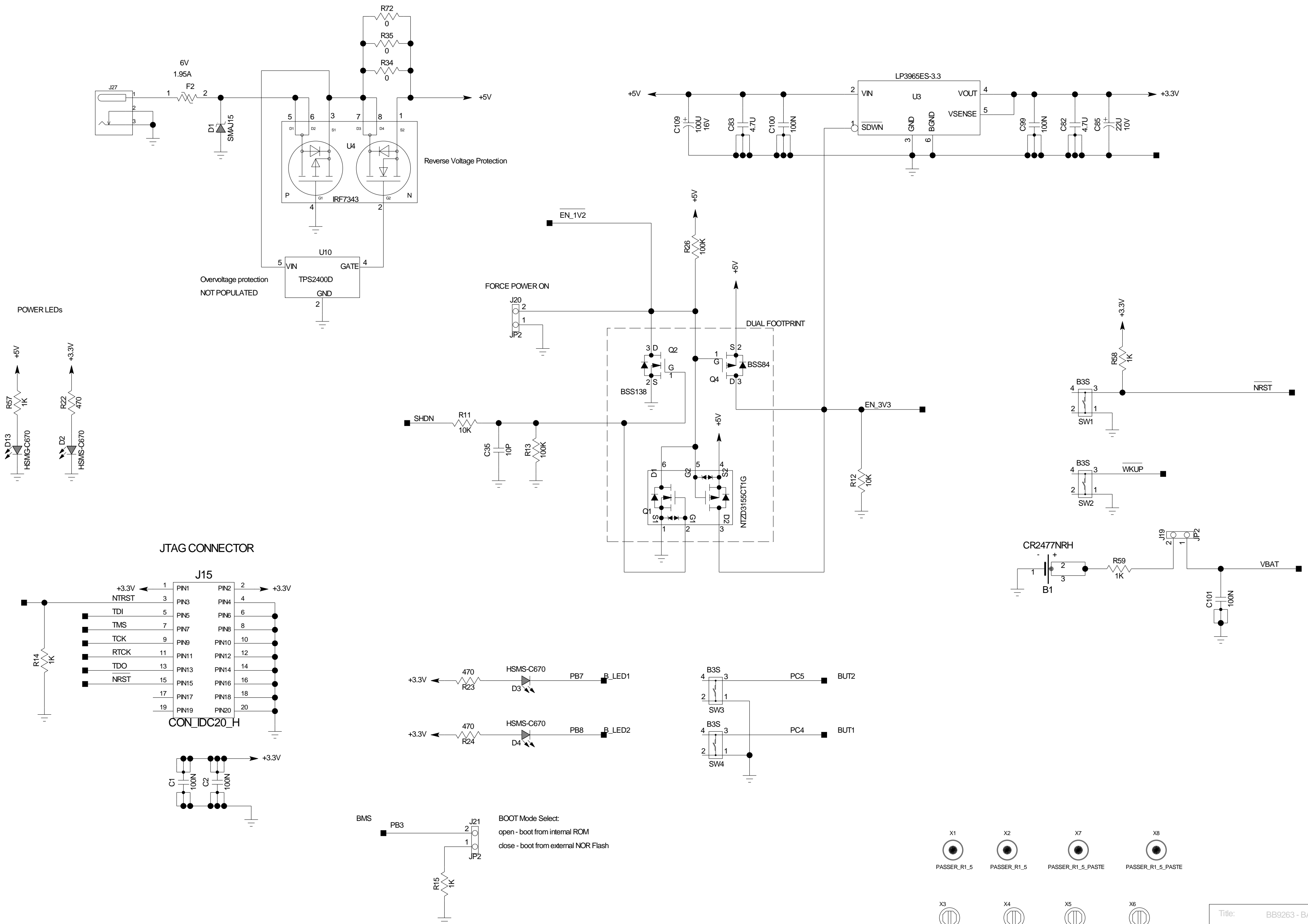
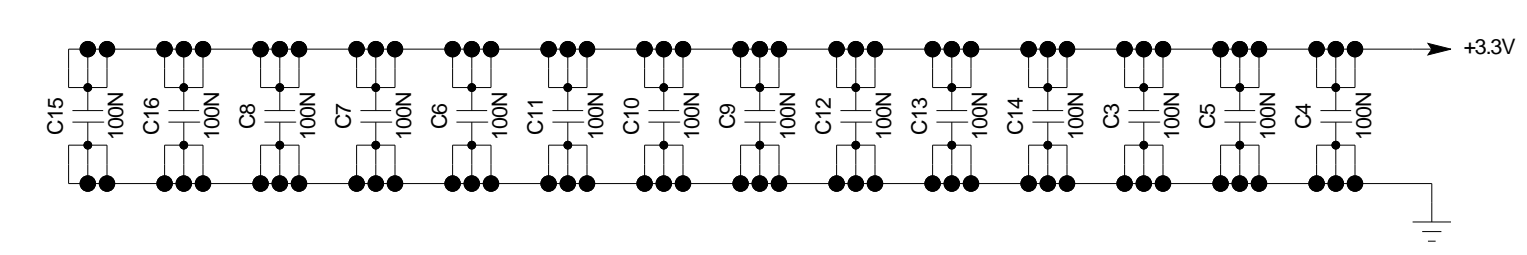
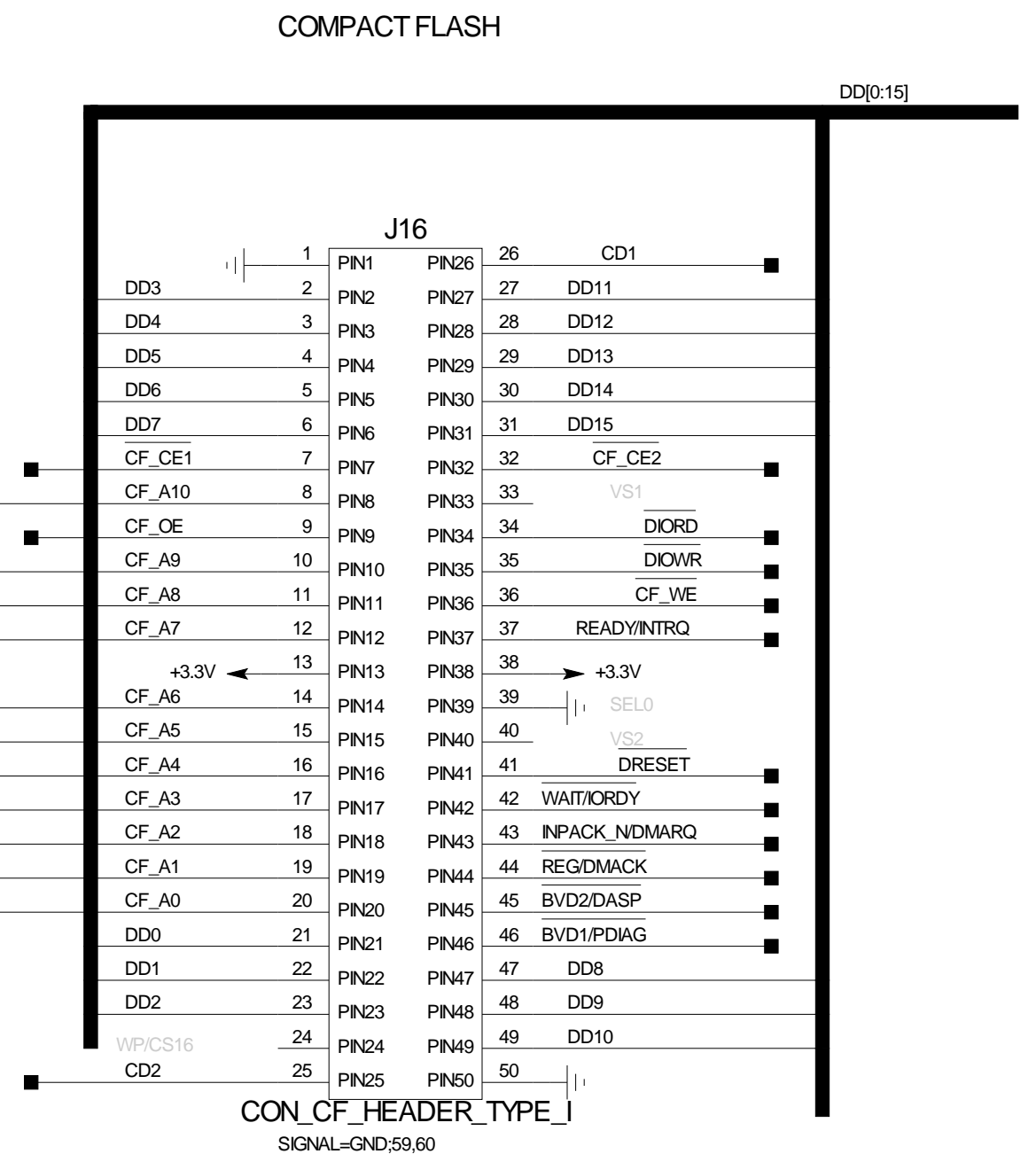
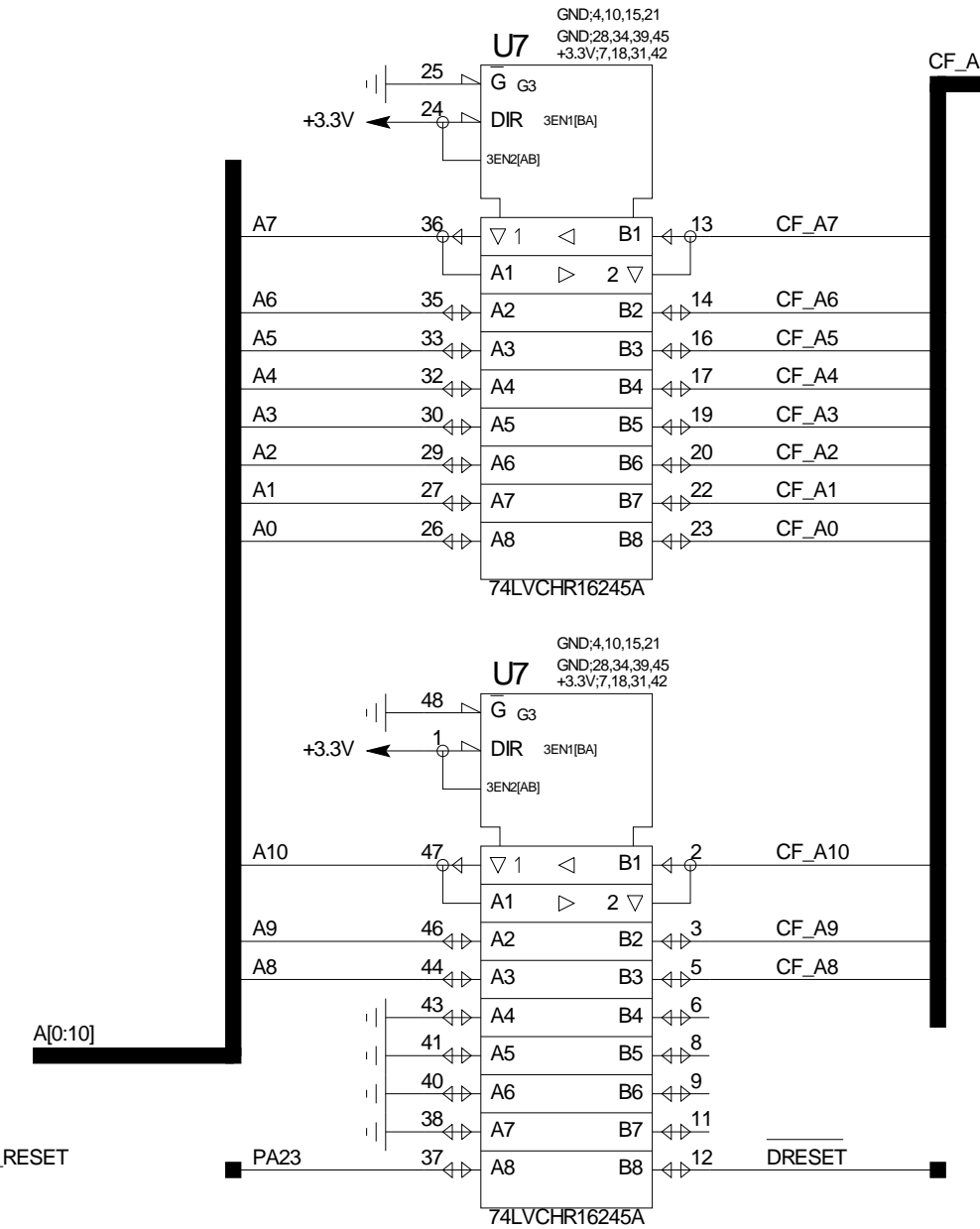
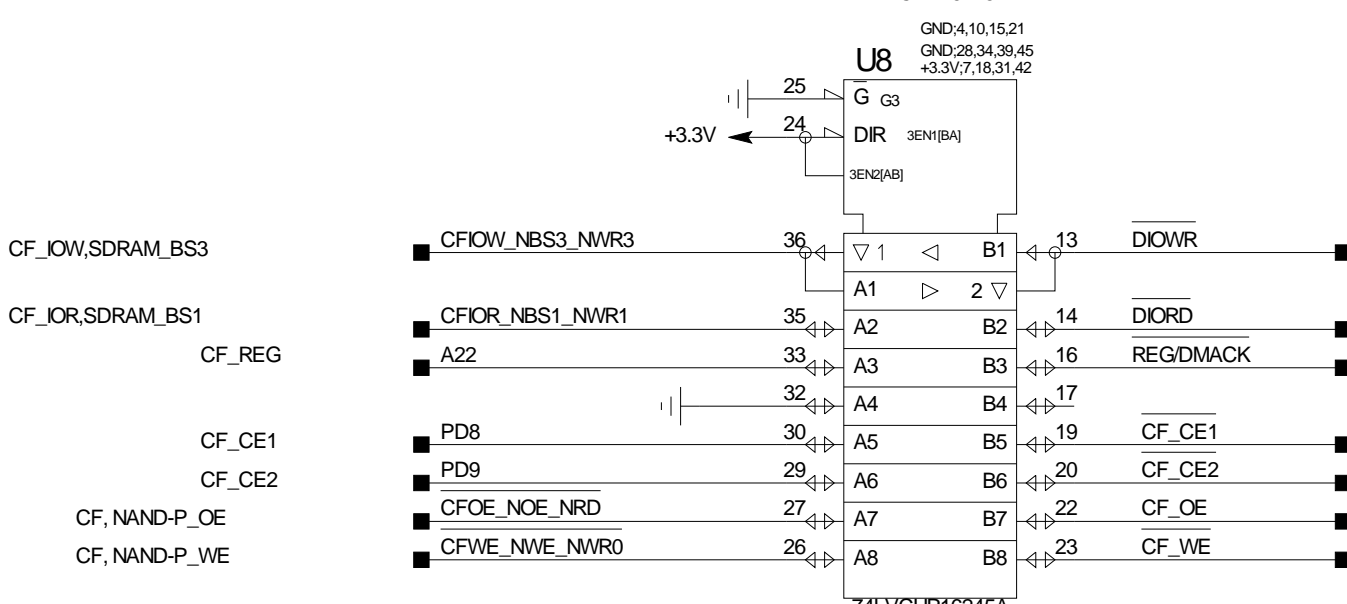
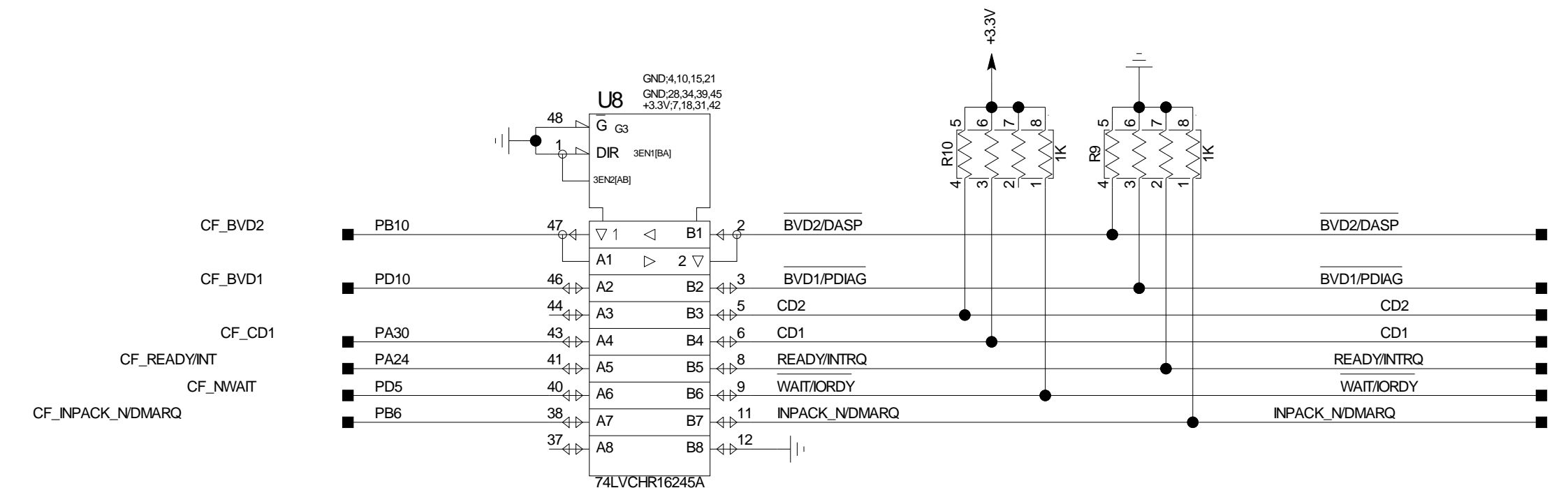
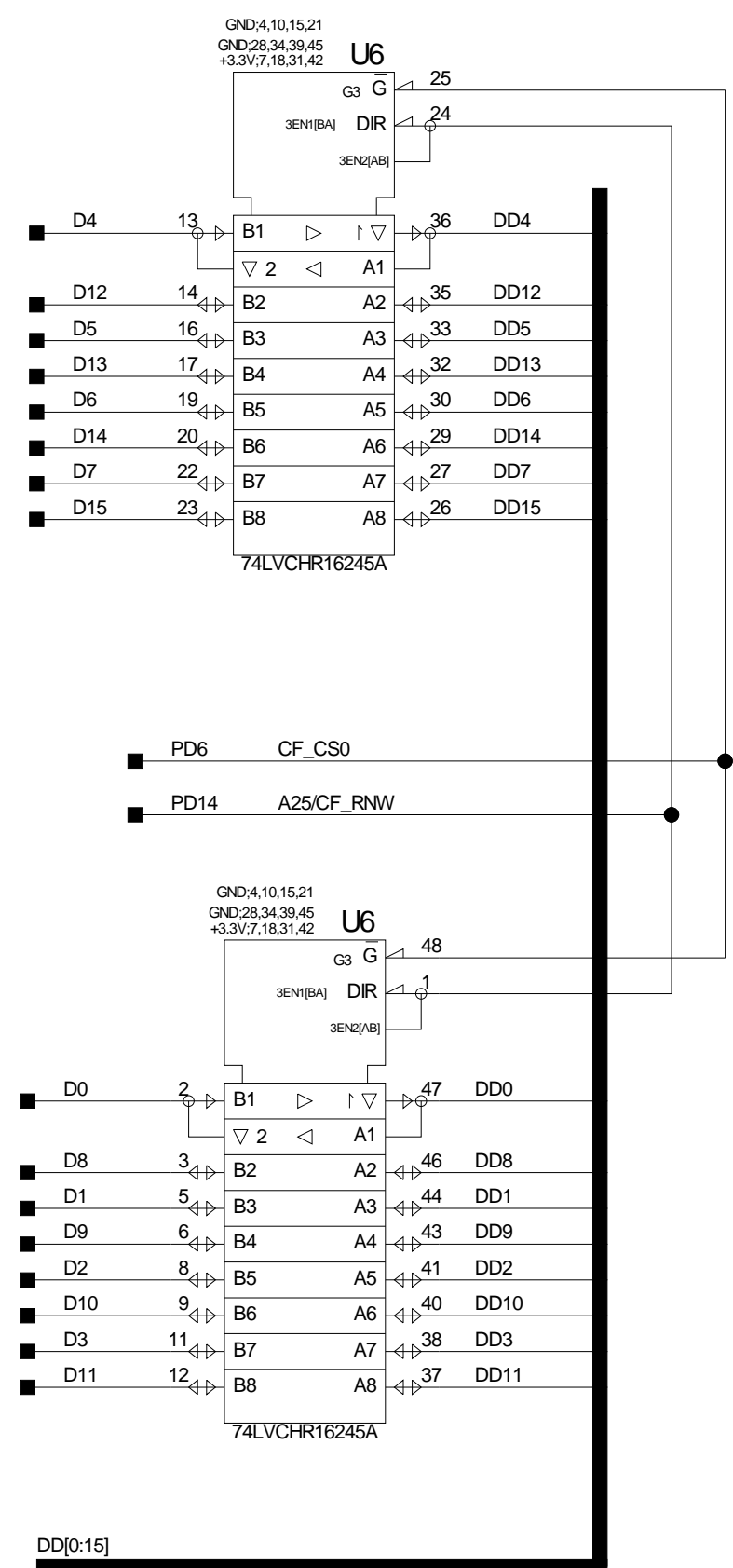
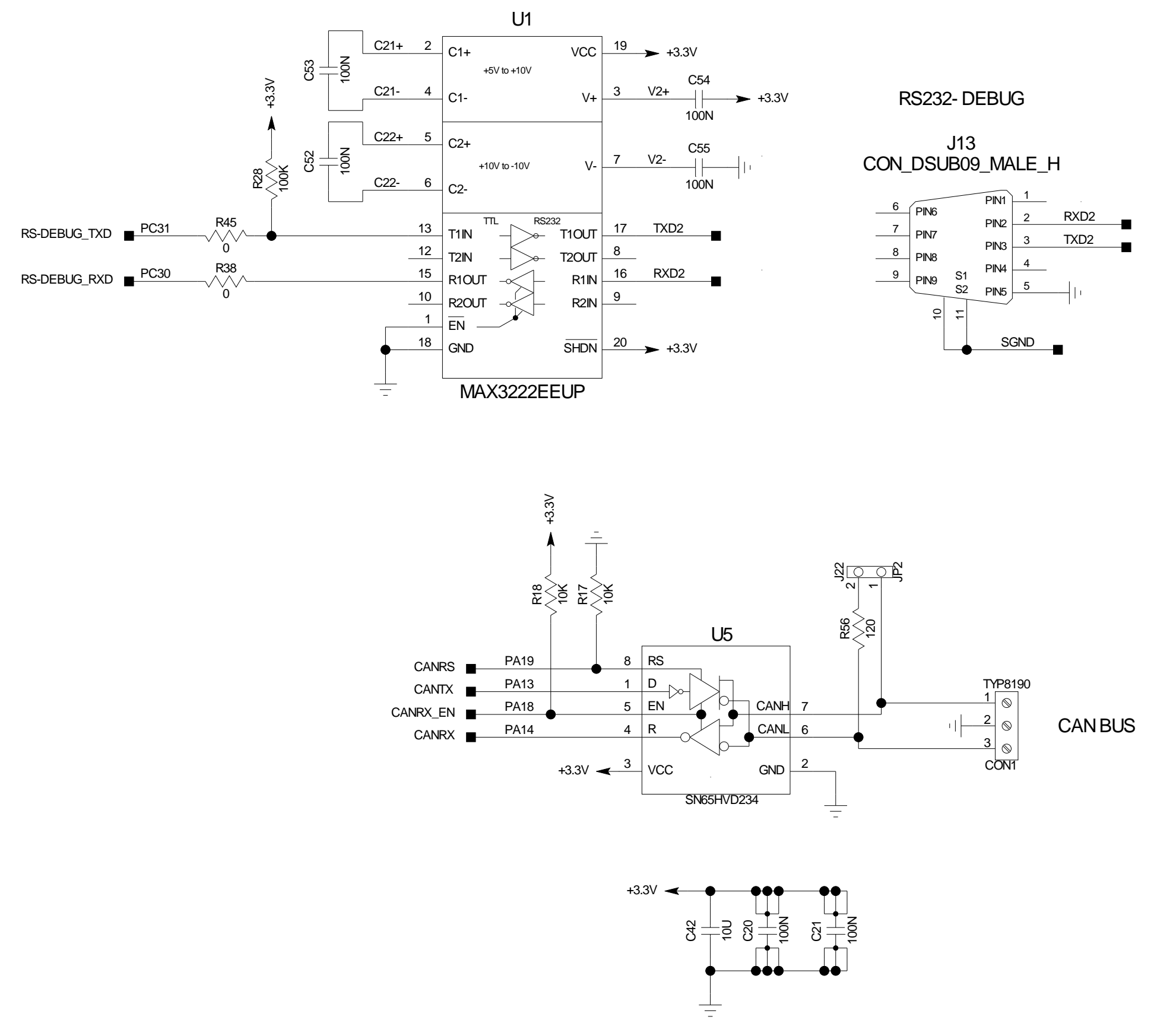
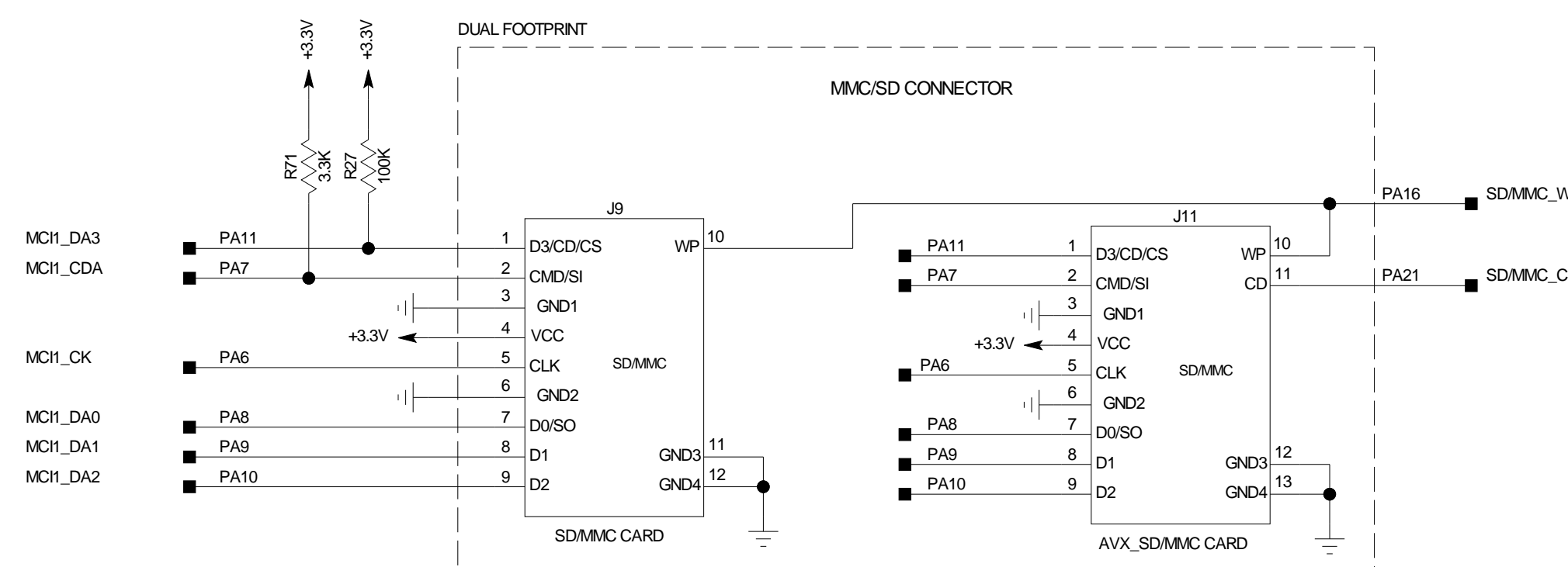
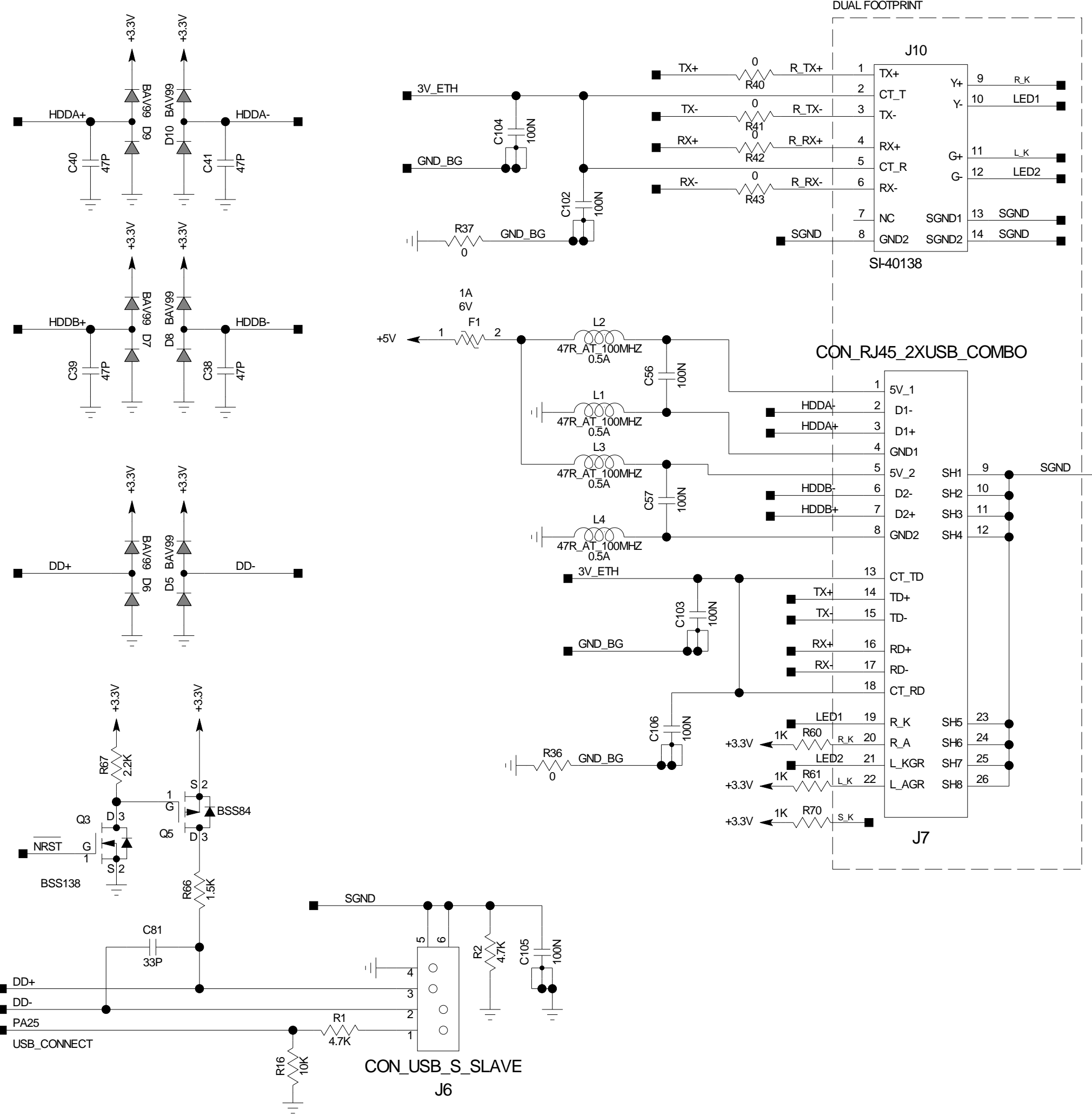


BB9263 v1.1 - Base Board for PM9263

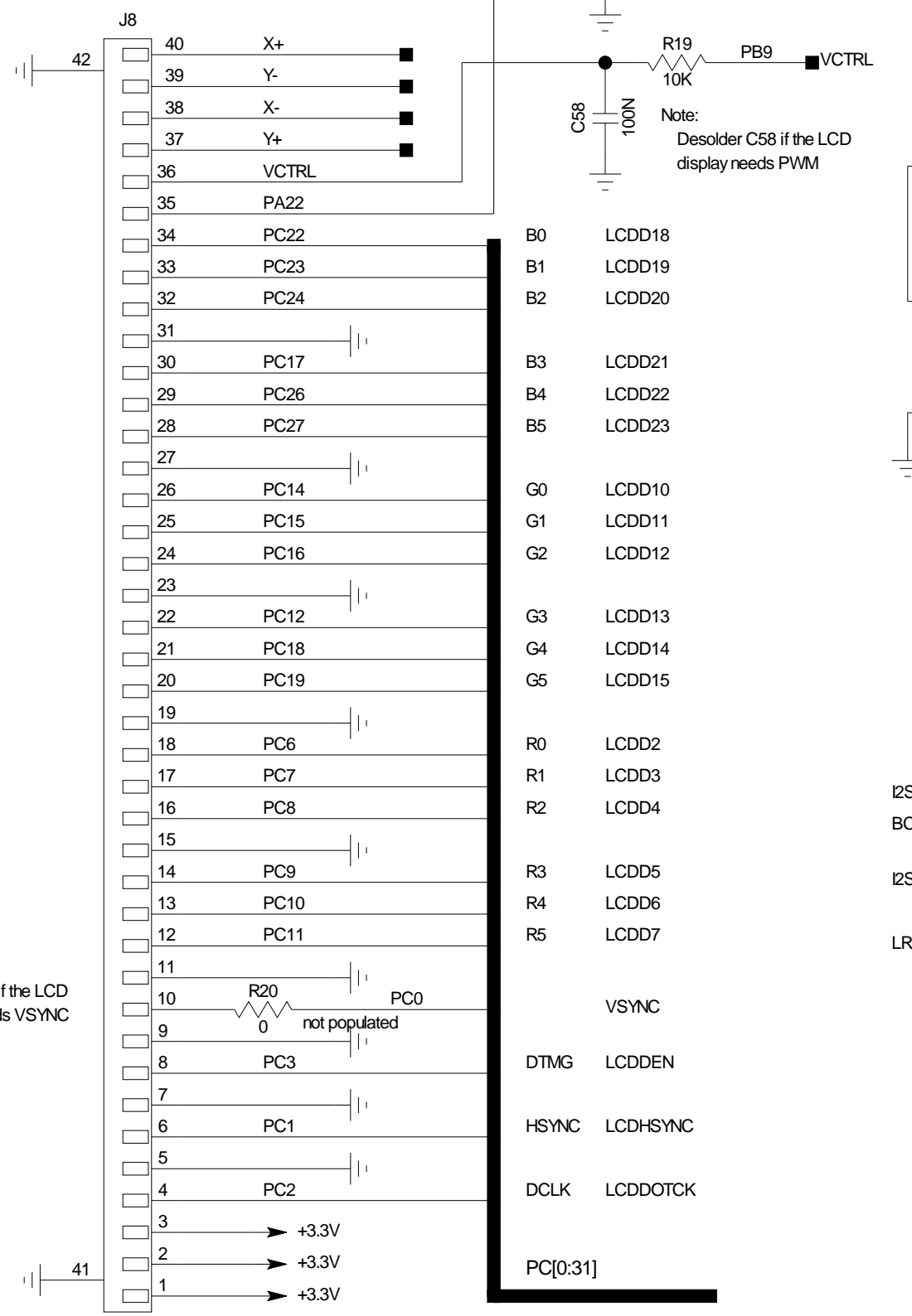






LCD CONNECTOR

16-bit TFT
HITACHI TX09D71VM1CCA
For better EMC 22R serial resistors should be used.



FFC/FPC_CONNECTOR_MOLEX_54132_H

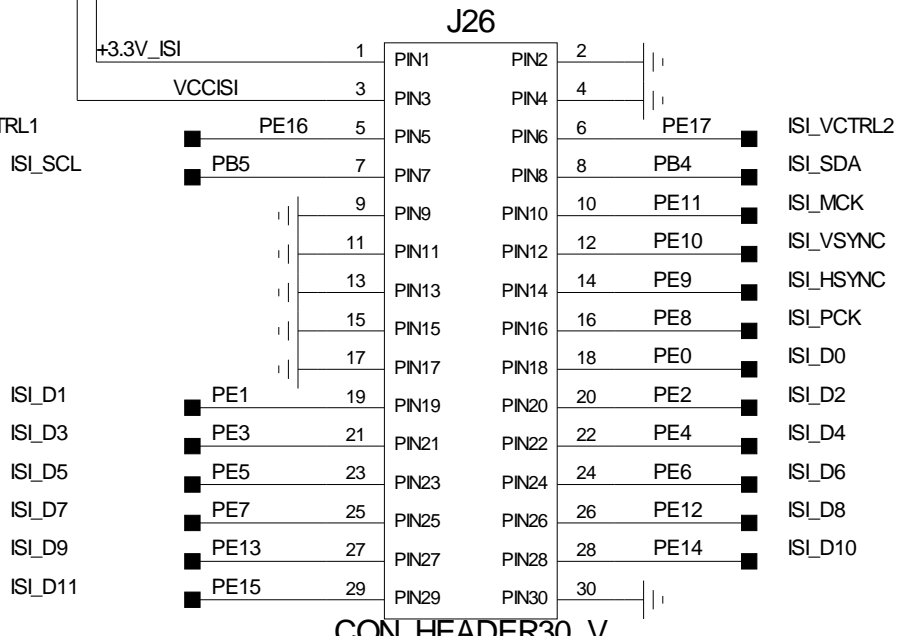
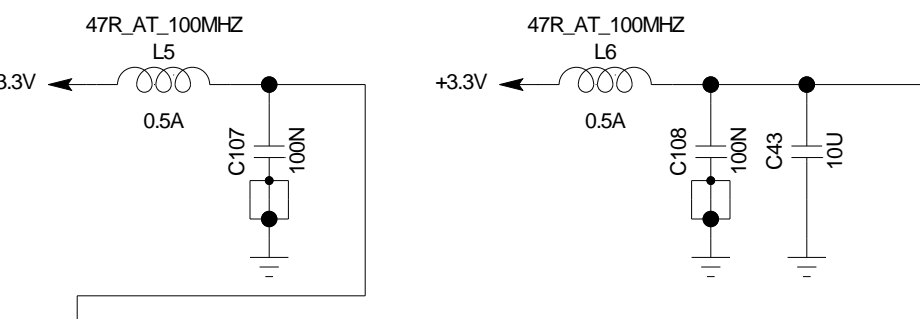
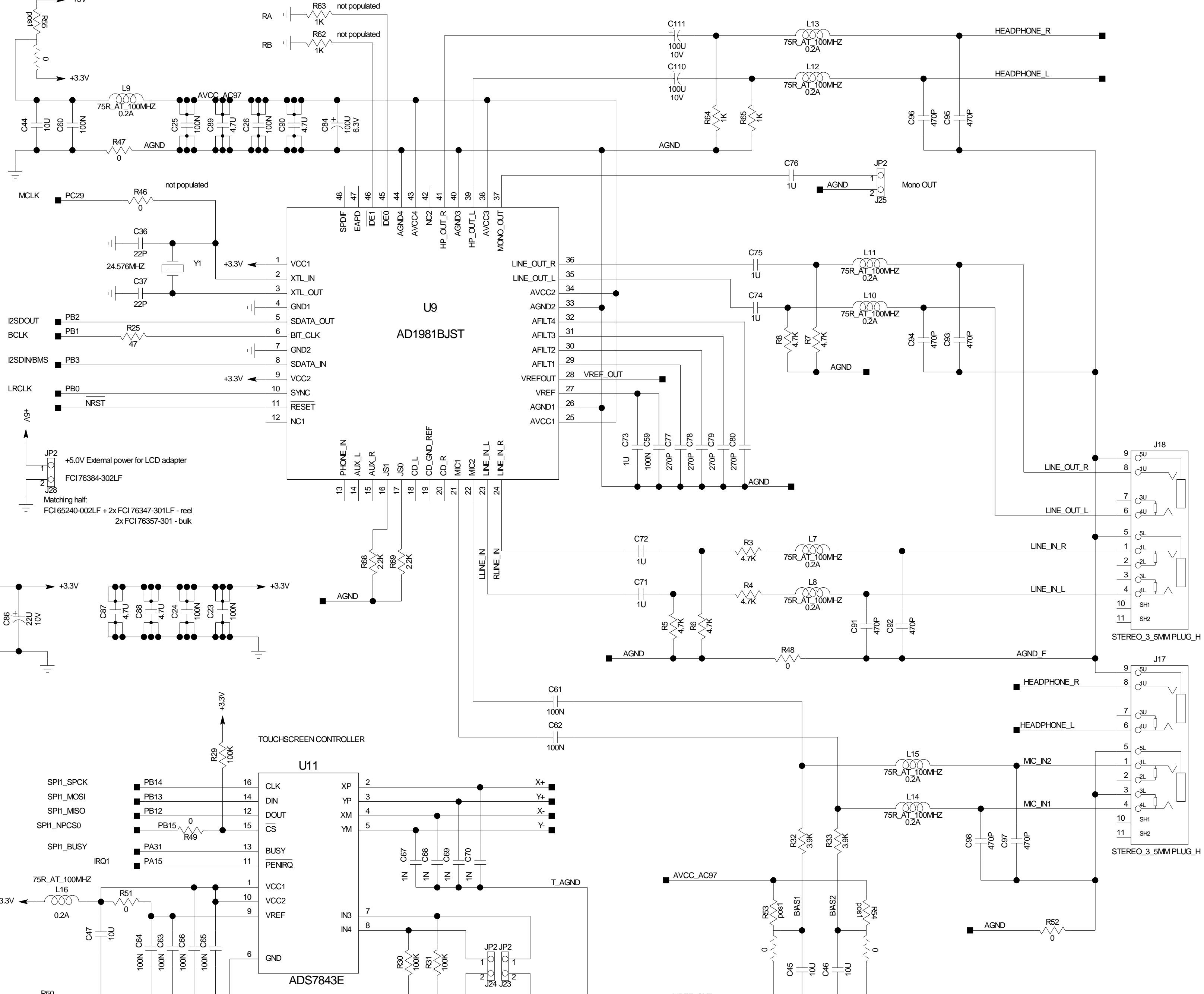


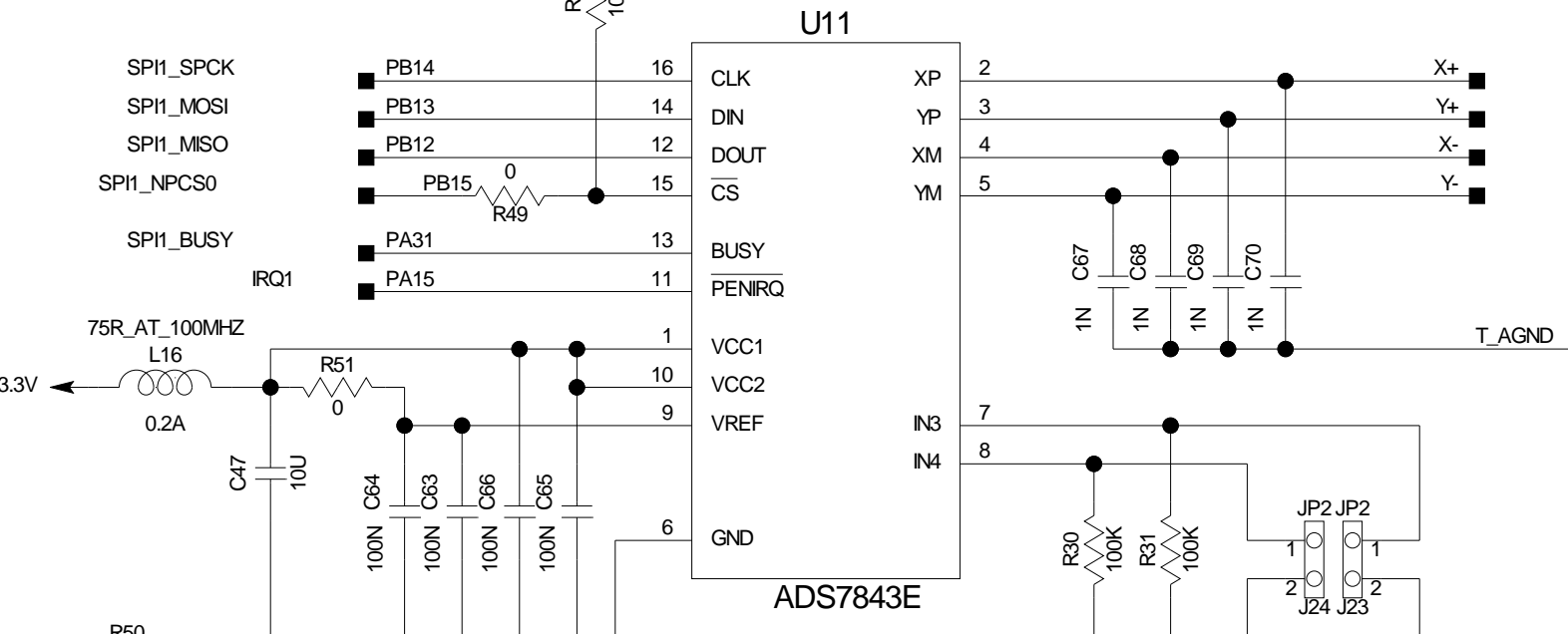
IMAGE SENSOR CONNECTOR

www.roneti.at

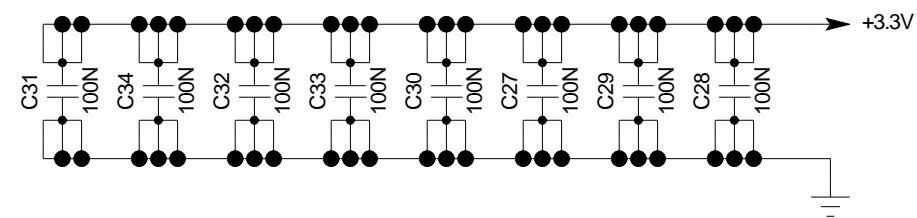
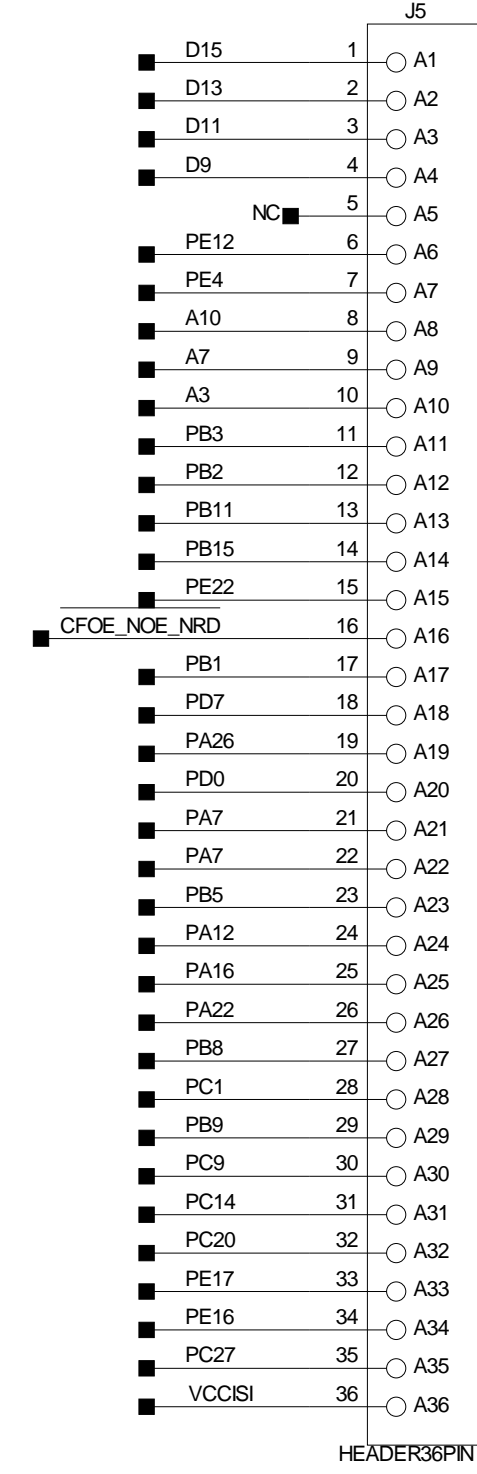
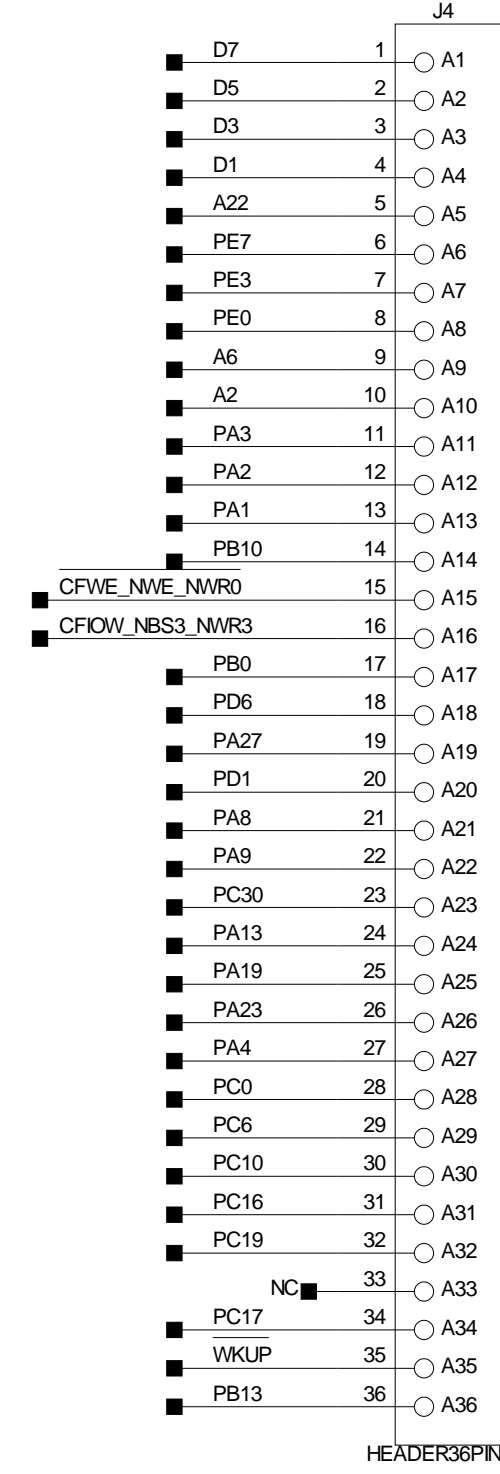
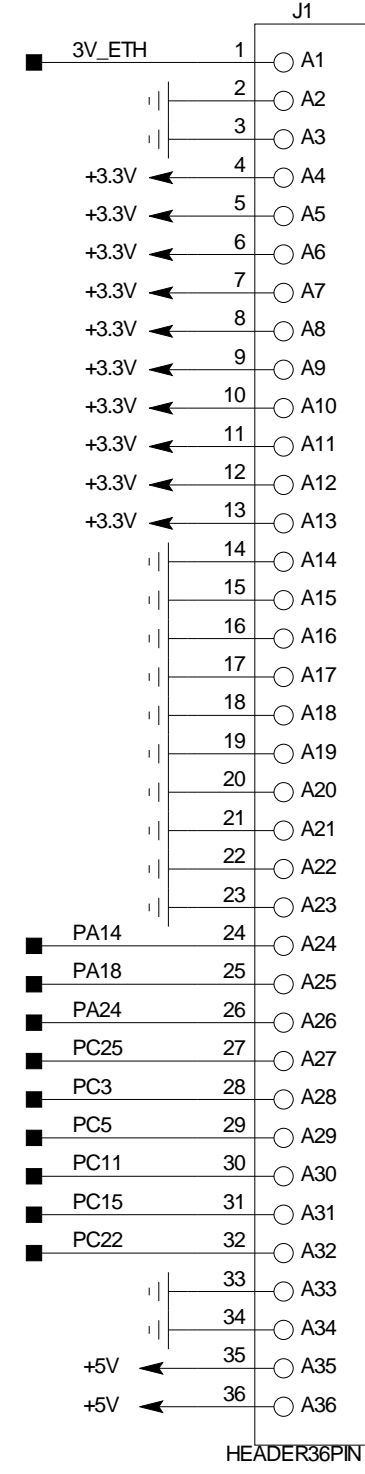
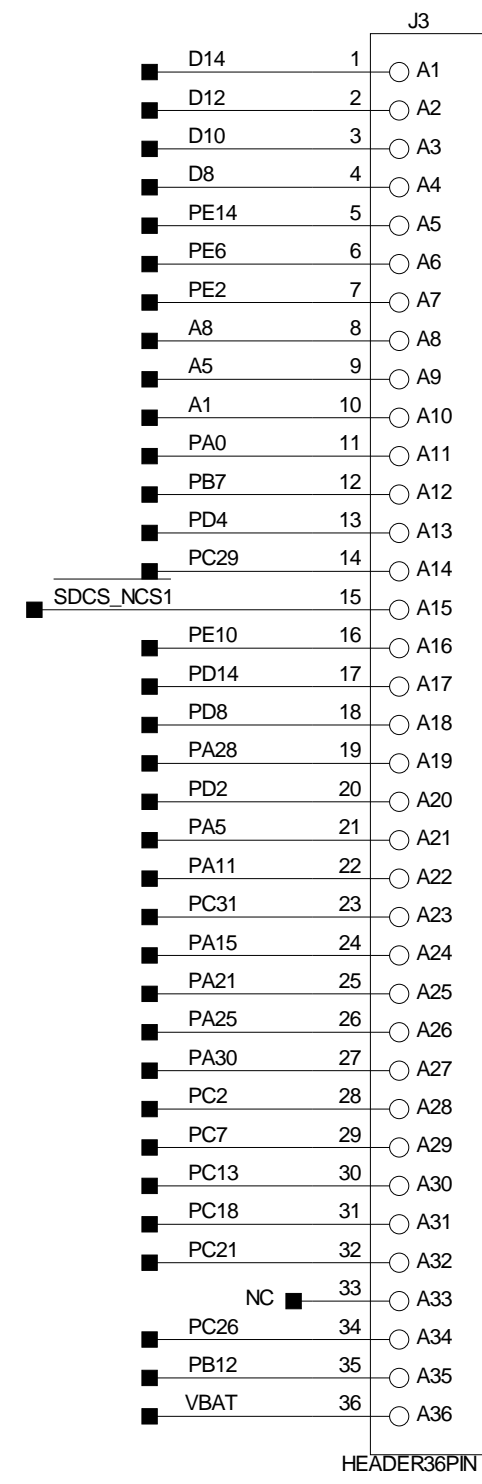
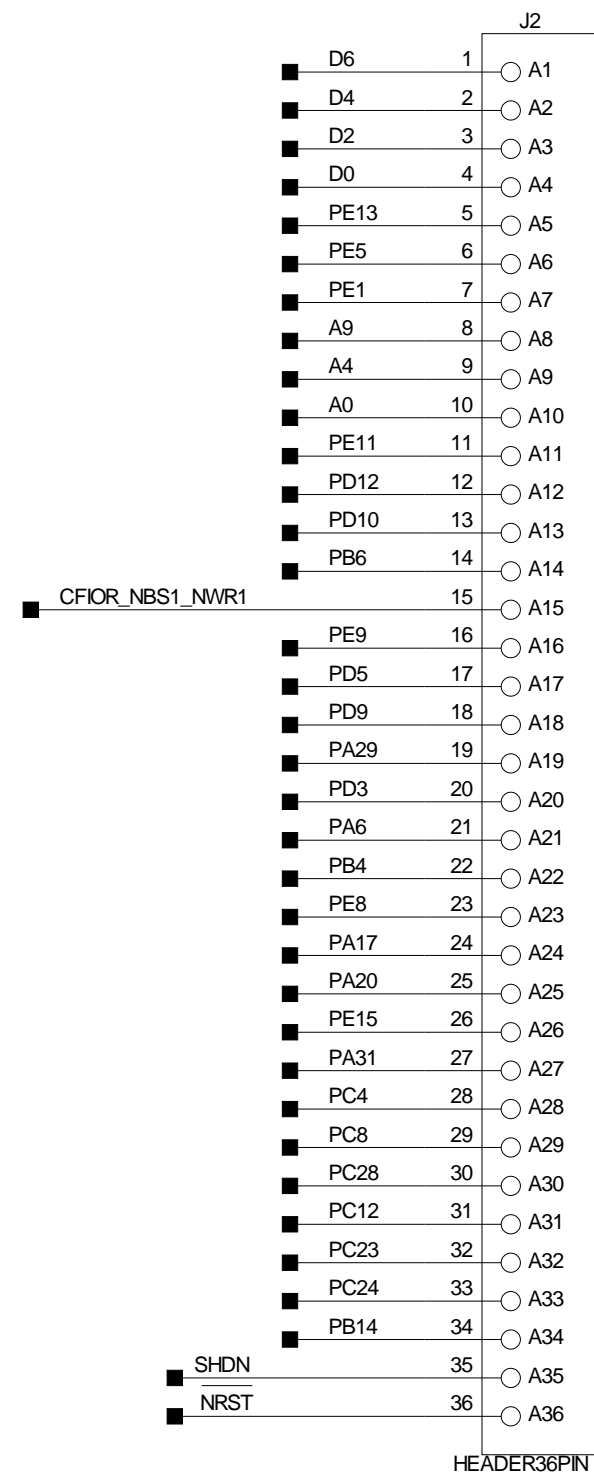
RA	RB	CODEC ID	CLK freq	local XTAL
out	out	primary	24.576MHz	ext CLK
in	in	secondary	12.288MHz	ext CLK
in	out	primary	48.000MHz	ext CLK
in	in	primary	14.318MHz	ext CLK



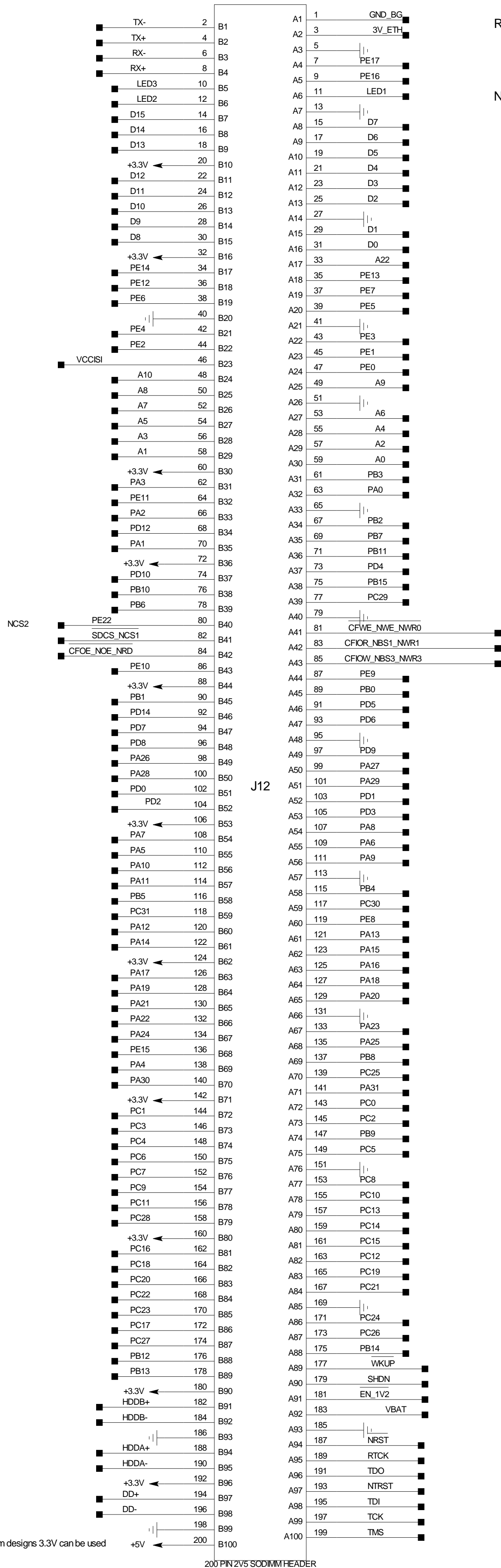
TOUCHSCREEN CONTROLLER



EXTENTION IO



SODIMM200 CONNECTOR



Recommended SODIMM200 2.5V connectors:
 FCI 59354-052FSLF
 JAE MM50-200B1-1E

NOTE:
 PM9263 v1.0 fits in 1.8V and 2.5V SODIMM200 connectors, but
 PM9263 v1.1 fits only in 2.5V SODIMM200 connectors

For custom designs 3.3V can be used
 200 PIN 2V5 SODIMM HEADER