

# BB9261 v1.2 - Base Board for PM9261

Recommended SODIM200 2.5V connectors:

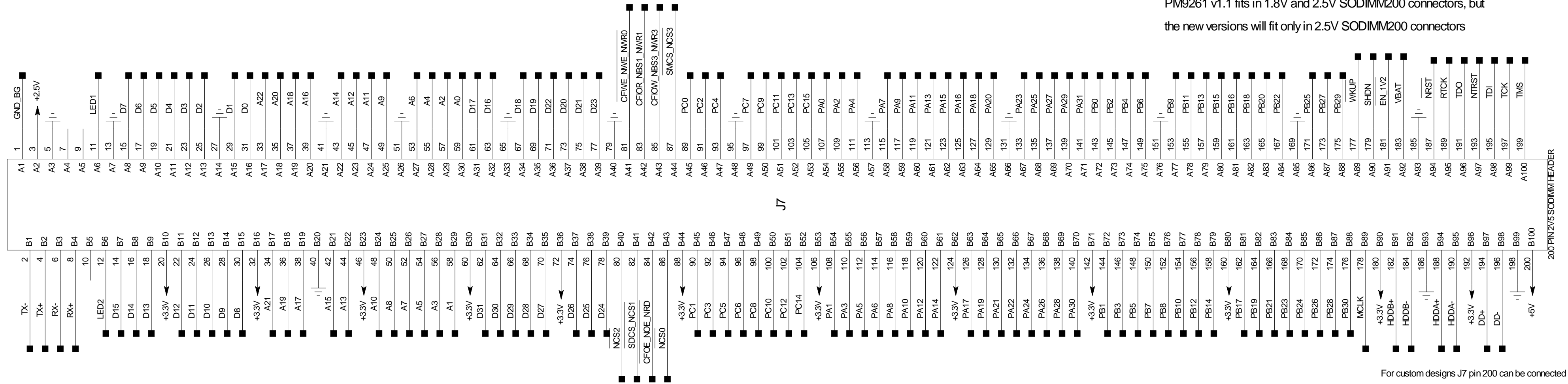
FCI 59354-052FSLF

JAE MM50-200B1-1E

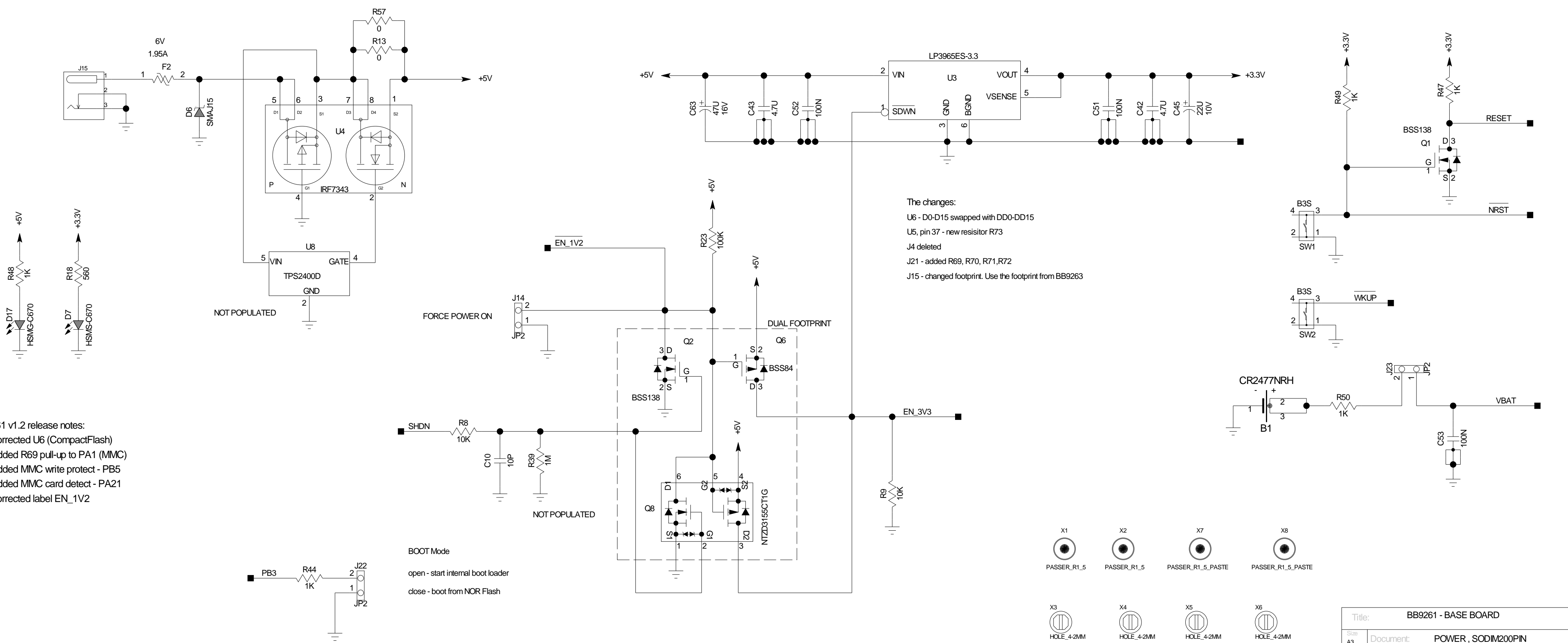
NOTE:

PM9261 v1.1 fits in 1.8V and 2.5V SODIMM200 connectors, but

the new versions will fit only in 2.5V SODIMM200 connectors

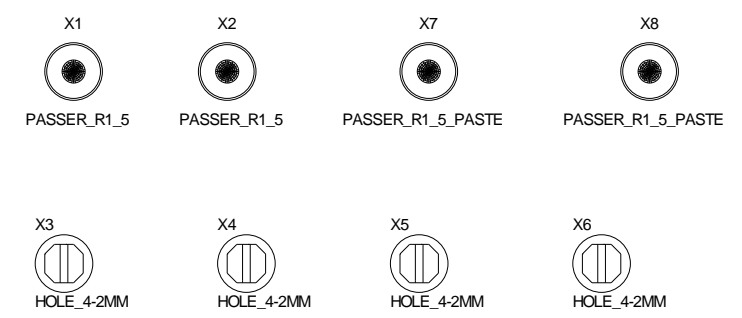


For custom designs J7 pin 200 can be connected to 3.3V

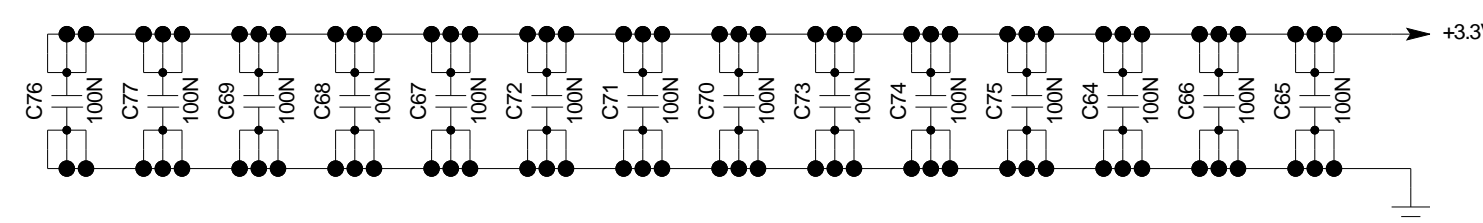
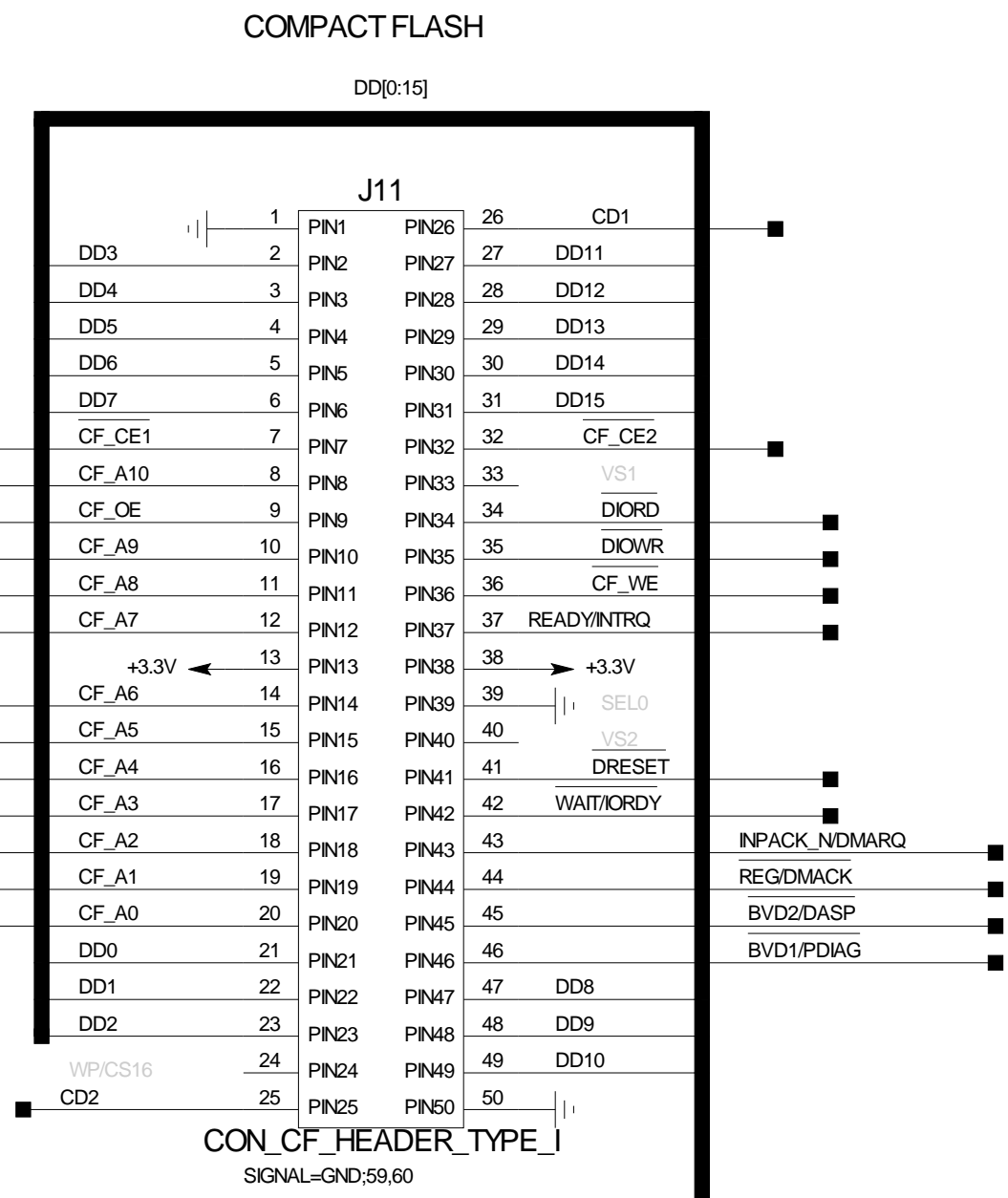
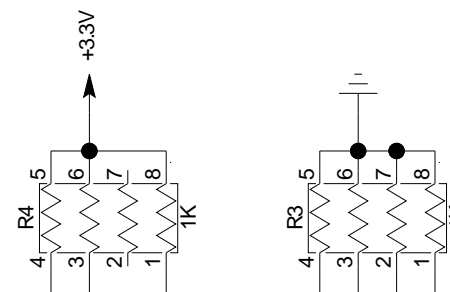
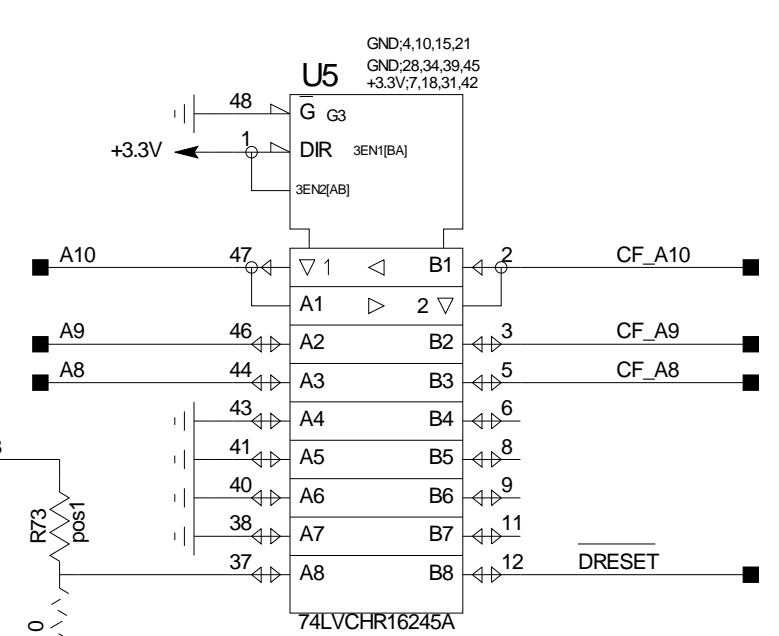
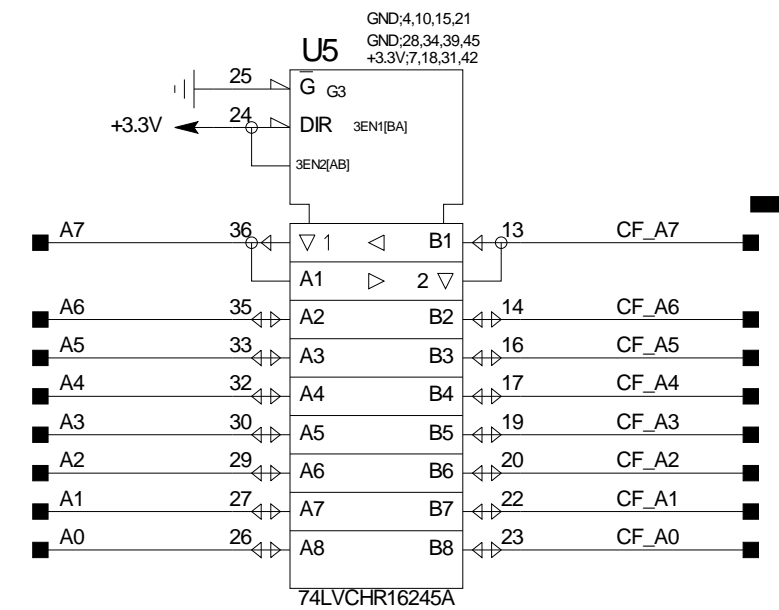
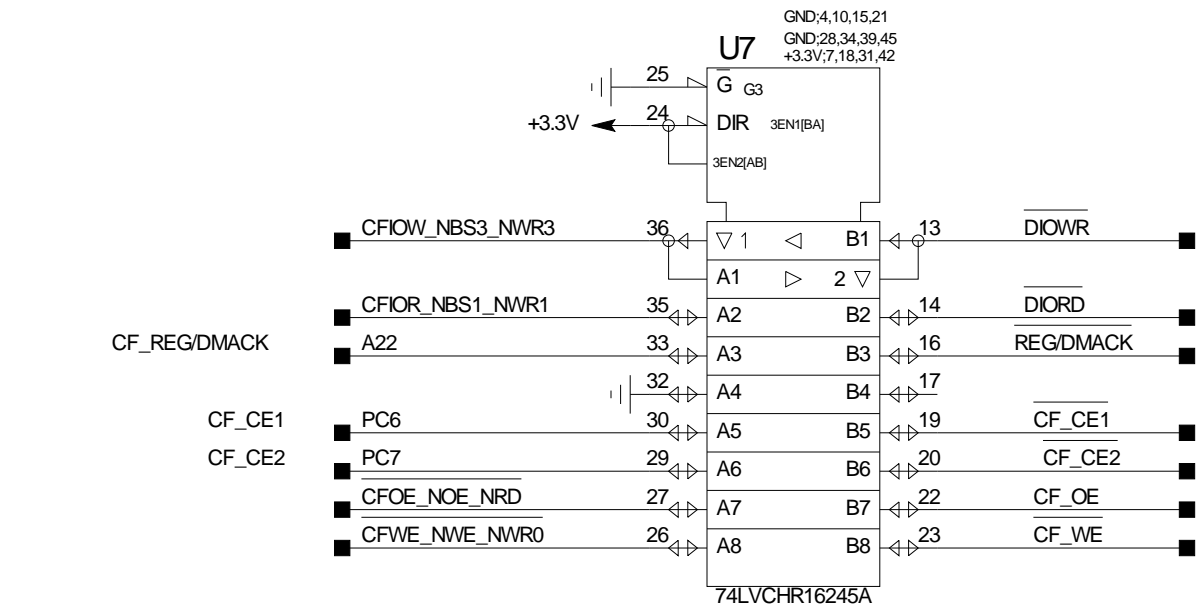
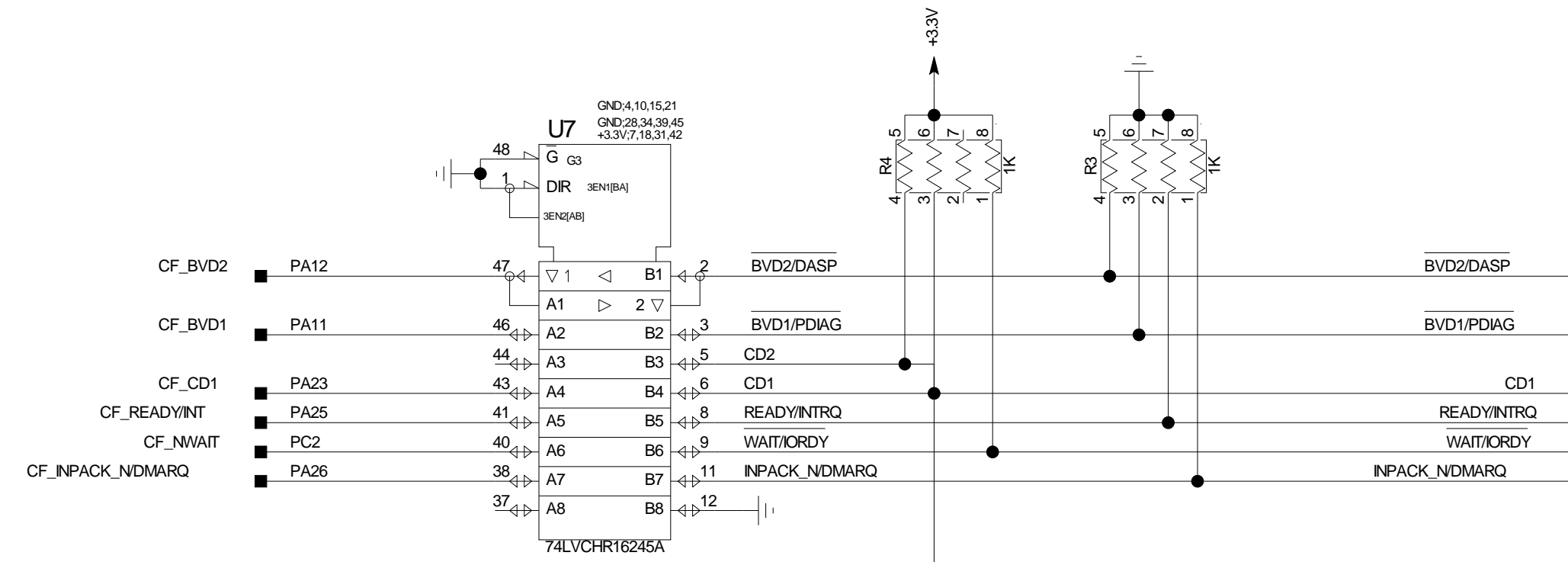
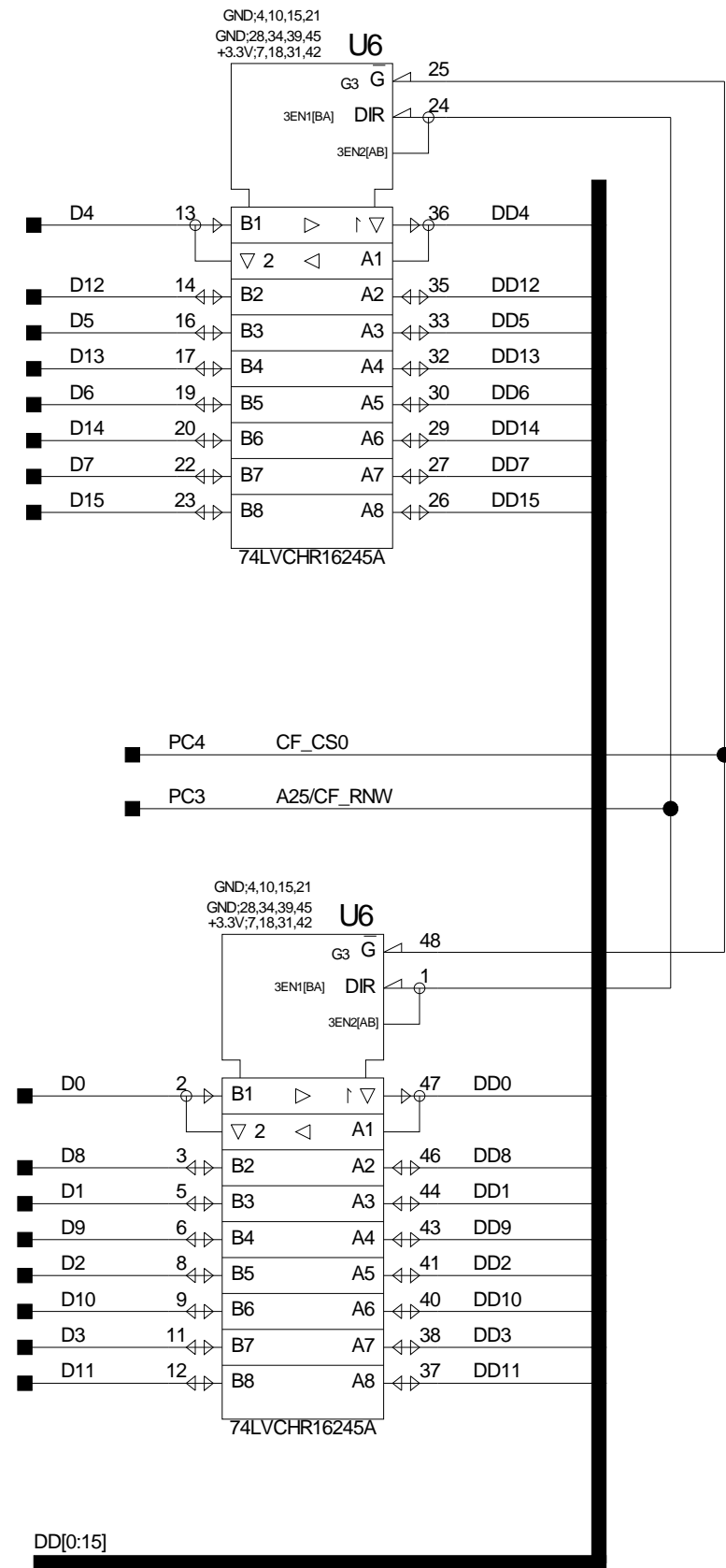


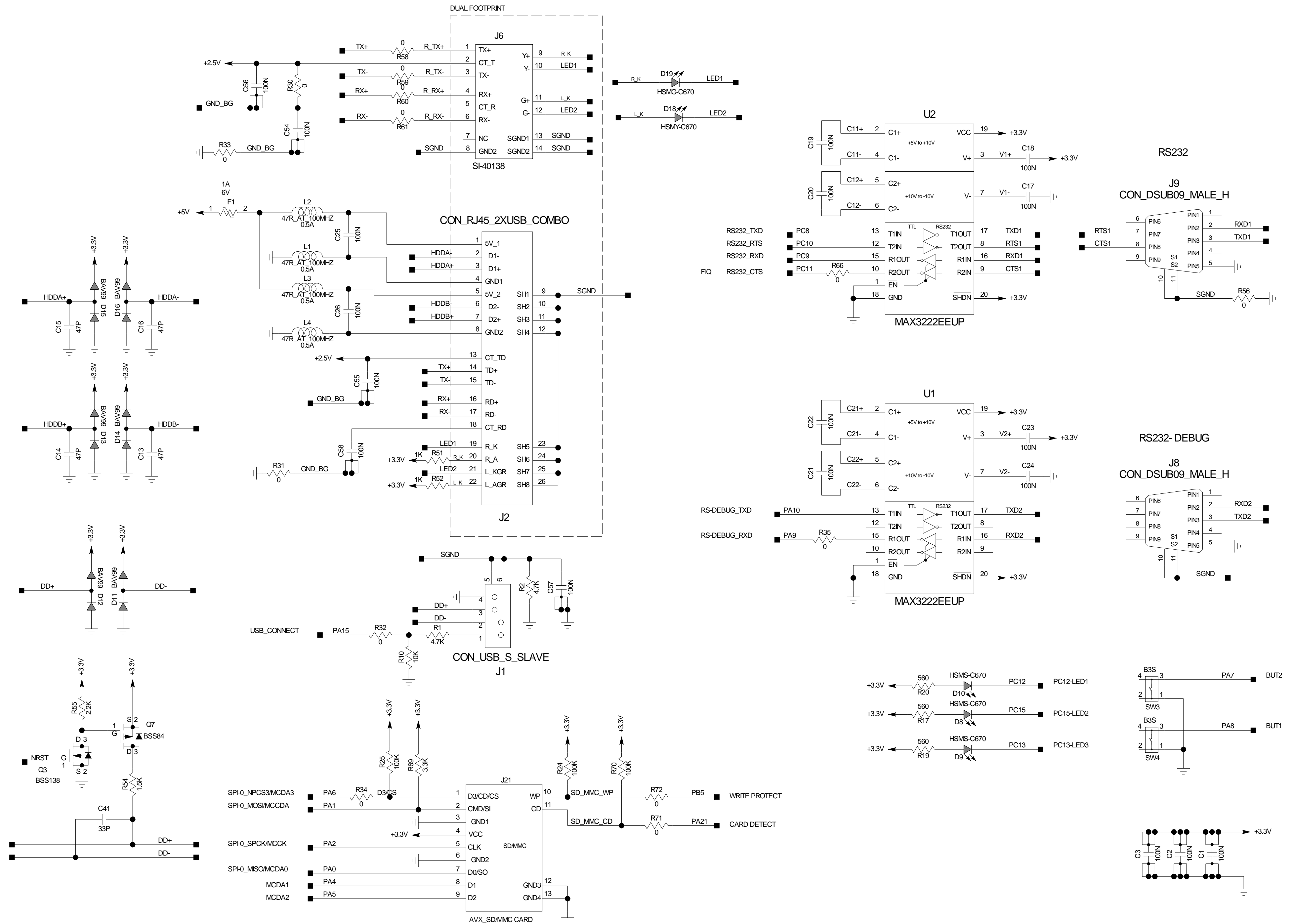
The changes:  
 U6 - D0-D15 swapped with DD0-DD15  
 U5, pin 37 - new resistor R73  
 J4 deleted  
 J21 - added R69, R70, R71, R72  
 J15 - changed footprint. Use the footprint from BB9263

- BB9261 v1.2 release notes:
- corrected U6 (CompactFlash)
  - added R69 pull-up to PA1 (MMC)
  - added MMC write protect - PB5
  - added MMC card detect - PA21
  - corrected label EN\_1V2



Title: BB9261 - BASE BOARD		
Size: A3	Document: POWER, SODIM200PIN	Rev: 1.2
Date:	Sheet: 1	of: 5





For better EMC 22R serial resistors should be used

